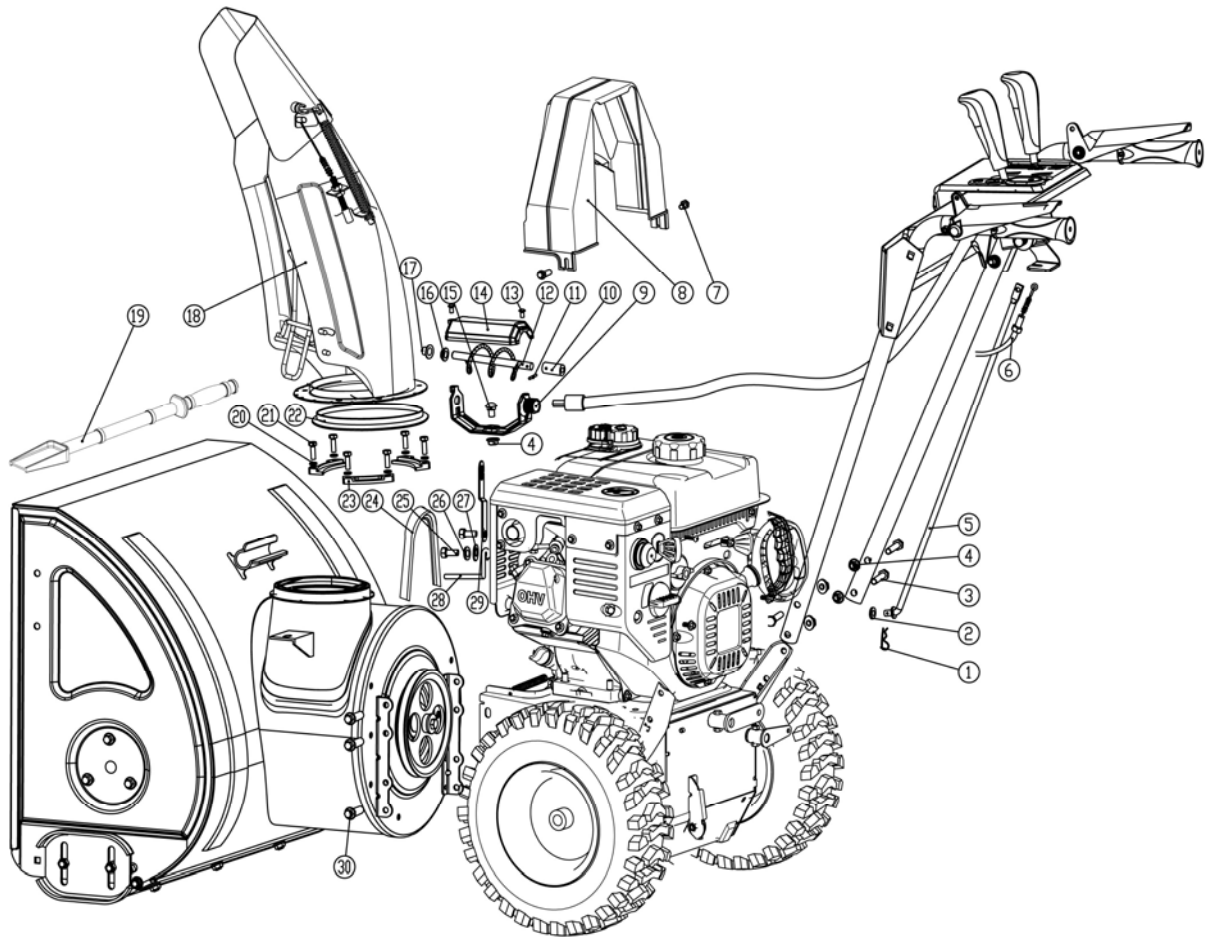
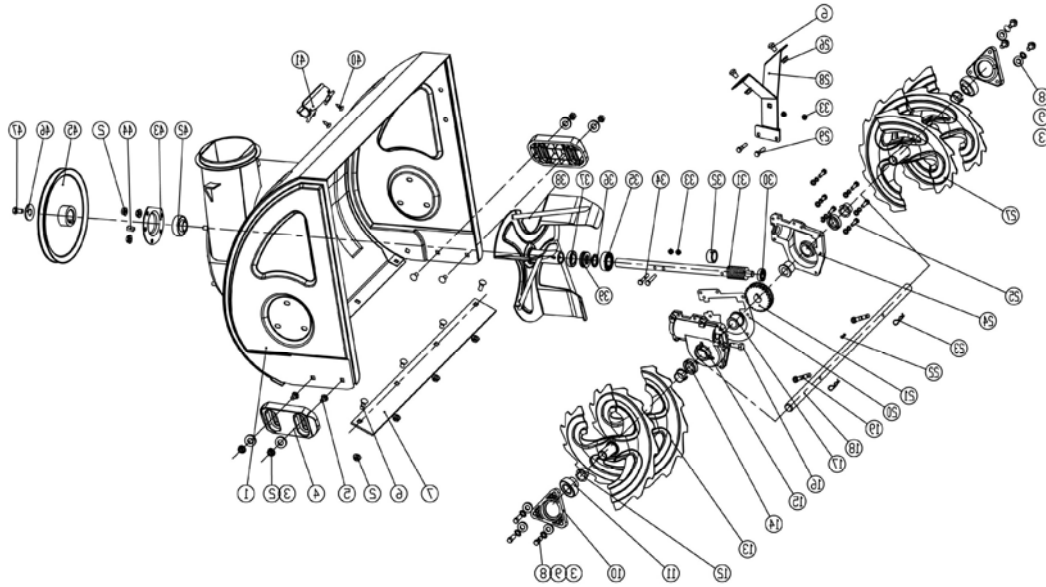


# SFR65 (2015)



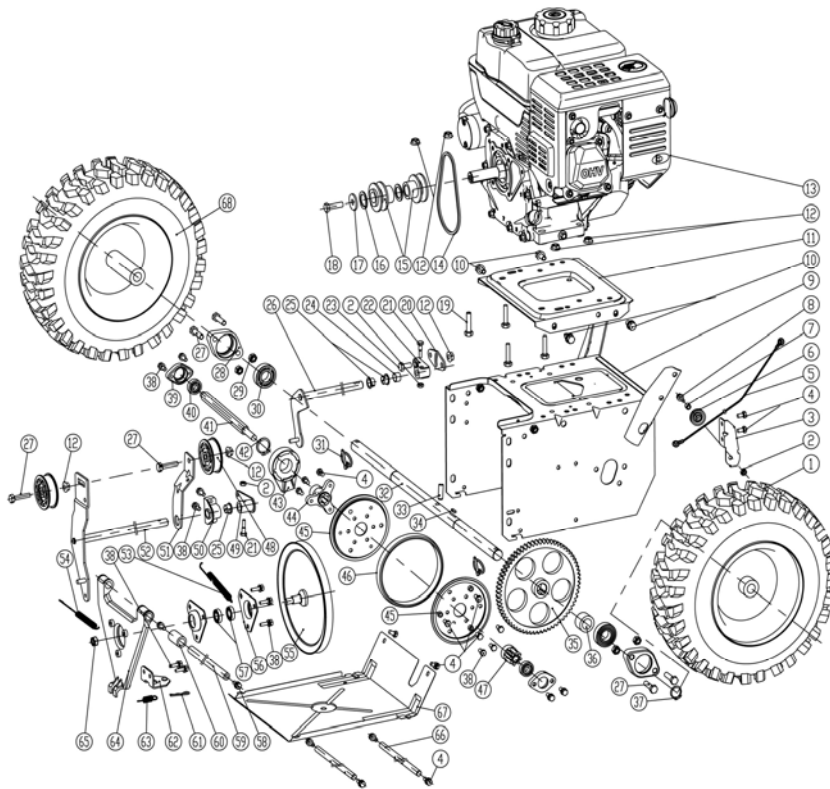
**SFR-65 (2015) 1 / Maschine**

NO.	ITEM NO.	NAME	QTY	
1	KC55-29	B型销	B pinchcock	1
2	GB/T95-2002	平垫圈 8	flat washer8	1
3	GB/T12-1988	半圆头方颈螺栓M8X40	carriage boltM8*40	4
4	GB/T 6183. 1-2000	六角法兰面锁紧螺母M8	hex. Flange lock nutM8	5
5	KC21-04C	连杆	connect rod	1
6	KC30A-05-04	出雪口帽拉线	chute cap control wire	1
7	GB/T9074. 13	六角头组合螺栓M6X16	hex. Bolt assemblyM6*16	2
8	KC21-08C	皮带罩	belt cover	1
9	KC21-09B	螺旋件支架	spiral bracket	1
10	KC21-20	连接件	connecting piece	1
11	GB/T879-2000	弹性圆柱销3X18	elastic cylindrical pin3*18	1
12	kc21-07B	螺旋焊接件	spiral weld assembly	1
13	GB/T 818-2000	十字槽盘头螺钉 M5X10	Cross recessed pan head tapping screwsM5*10	2
14	KC21-19	旋转件盖	spiral part cover	1
15	GB/T12-1988	半圆头方颈螺栓M8X25	carriage boltM8*25	1
16	KC21-22	支架垫圈	washer for bracket	1
17	KCW-02	复合式收尾扣帽10	Composite finishing buckle hat10	1
18	KC21-10C	出雪口组件	chute assembly	1
19	KC55-24	雪锹	snow removal tool	1
20	GB/T93-1987	弹性垫圈 6	spring washer6	6
21	GB/T 818-2000	十字槽盘头镙钉M6X16	Cross recessed pan head tapping screwsM6*16	6
22	KC26-13出雪口垫圈	出雪口垫圈	wahser for chute	1
23	KC55-23	固定块	fixed block	3
24	V10X705	三角带	belt	1
25	GB/T 5780-2000	六角头螺栓 M8X20	hex. boltM8*20	3
26	GB/T 93-1987	弹簧垫圈 8	spring waher8	2
27	GB/T5287-2002	大垫圈 8	big washer8	2
28	KC90-12	皮带档杆	belt baffle	2
29	KC21-13	拉线钩	wire fixed hook	1
30	GB/T9074. 17	六角头组合螺栓M8X20	hex. bolt assemblyM8*20	6



**SFR-65 (2015) 2 / Fräse**

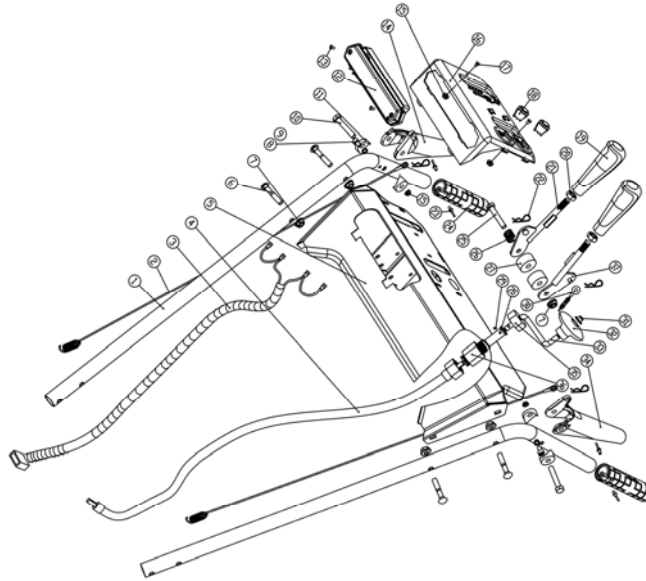
NO.	ITEM NO.	NAME	QTY	
1	KC21-01C-01A	大罩壳24	24"big housing	1
2	GB/T 889.1-2000	六角锁紧螺母M8	hex. Lock nutM8	11
3	GB/T96.1-2002	大垫圈 8	big washer8	12
4	KC26-01-02	滑撬	slide shoes	2
5	GB/T12-1988	半圆头方颈螺栓M8X20	carriage boltM8*20	4
6	GB/T12-1988	半圆头方颈螺栓M8X16	carriage boltM8*16	6
7	KC55-01-03A	长档板	24" shave plate	1
8	GB/T 5780-2000	外六角螺栓 M8X20	hex. boltM8*20	7
10	KC55-01-04A	轴承盖	bearing cover	2
11	KC55-01-05A	非标轴承	nonstandard bearing	2
12	KC55-01-06	驱动轴小套	small bush for output shaft	4
13	KC21-01-02A	右蛟龙	auger, right	1
14	GB13871-1993	FW外露骨架密封圈22X30X7	FW outer sealing ring22*30*7	1
15	KC21-01-08	蜗轮箱右	worm housing , right	1
16	GB/T5787-1986	六角法兰面螺栓 M10X16	hex. flange boltM10*16	1
17	KC55-01-09	输出轴套(%C22)	output shaft sleeve	2
18	KC55-01-10A	输出轴 (620)	output shaft	1
19	KC21-01-03	安全销	safety bolt	2
20	KC21-01-09	纸垫	paper washer	1
21	KC55-01-13	蜗轮	worm gear	1
22	GB/T 1096-1979	平键B6X6X18	parallel keyB6*6*18	1
23	KC55-29	B型销	B pinchock	2
24	KC21-01-10	蜗轮箱左	worm housing , left	1
25	GB/T 9074.17	六角头螺钉组合件 M6×25	hex. screw assembly M6*25	6
26	GB/T 889.1-2000	六角法兰锁紧螺母M8	hex. Flange lock nut M8	2
27	KC21-01-05A	左蛟龙	auger, left	1
28	KC90-01-06A	支板组件	Y support assembly	1
29	GB/T 5780-2000	外六角螺栓 M6X25	hex. boltM6*25	2
30	GB/T276-1994	深沟球轴承6001	deep groove bearing 6001	1
31	KC21-01-13A	蜗杆轴	worm shaft	1
32	KC21-01-11	垫套	pad	1
33	GB/T6182-2000	非金属嵌件六角锁紧螺母M6	hex. Lock nut with non metal insertM6	4
34	GB/T 5780-2000	六角头螺栓 M6X35	hex. Bolt M6*35	2
35	GB/T276-1994	深沟球轴承6004	deep groove ball bearing 6004	1
36	KC90-01-17	轴套	bushing	1
37	GB 13871-1992	旋转轴唇型密封圈 B 20 35	Rotary shaft lip type seals--VocabularyB20*35	3
38	KC26-01-05	风扇	fan	1
39	GB/T301-1995	单向推力球轴承51104	ong-way thrust ball Bearing51104	1
40	GB/T845-1985	十字槽盘头自攻螺钉ST4. 2X9. 5-F	Cross recessed pan head tapping screwsST4. 2X9. 5-F	2
41	KC55-01-21	雪锹架	bracket for snow removal tool	1
42	SB204	球面深沟球轴承SB204	deep groove ball bearingSB204	1
43	KC55-01-22	圆底盖	end bearing cover	1
44	GB/T 1096-1979	平键B6X6X20	parallel keyB6*6*20	1
45	KC21-01-6	皮带轮	belt pulley	1
46	GB/T5287-2002	特大垫圈 10	jumbo washer10	1
47	GB/T 5780-2000	六角头螺栓M10X25	hex. Bolt M10*25	1



**SFR-65 (2015) 3 / Fahrwerk**

NO.	ITEM NO.	NAME	QTY
1	14X5.00-6R	14寸轮胎右	1
2	GB/T899.1-2000	六角锁紧螺母M6	3
3	KCM24-02C-19	滑轮座	1
4	GB/T9074.13-1988	六角头组合螺栓M6X12	14
5	KC21-02C-01	短拉线	1
6	KC40-28	滑轮	1
7	KC21-02-2	轴套	1
9	KC21-02C-02	箱体组件	1
10	GB/T9074.17-1988	六角头组合螺栓M8X20	4
11	KC21-02C-03	发动机座	1
12	GB/T6183.1-2000	六角法兰面锁紧螺母M8	7
13	LC170FDS	汽油机	1
14	3LXP820	三角皮带	1
15	KC21-02C-04	主动轮	2
16	KC21-02C-05	主带轮垫圈	2
17	GB/T5287-2002	特大垫圈8	1
18	GB/T5786-2000	六角头螺栓M8X1X30	1
19	GB/T5780-2000	六角头螺栓M8X35	4
20	KC21-02-05	档位调节板	1
21	GB/T5780-2000	六角头螺栓M6X30	2
22	KC21-02-06A	档位接头	1
23	GB/T5780-2000	六角头螺栓M8X20	1
24	KC21-02-34	垫套	1
25	KC90-02-07	塑料轴套	3
26	KC55-02-05	拨叉	1

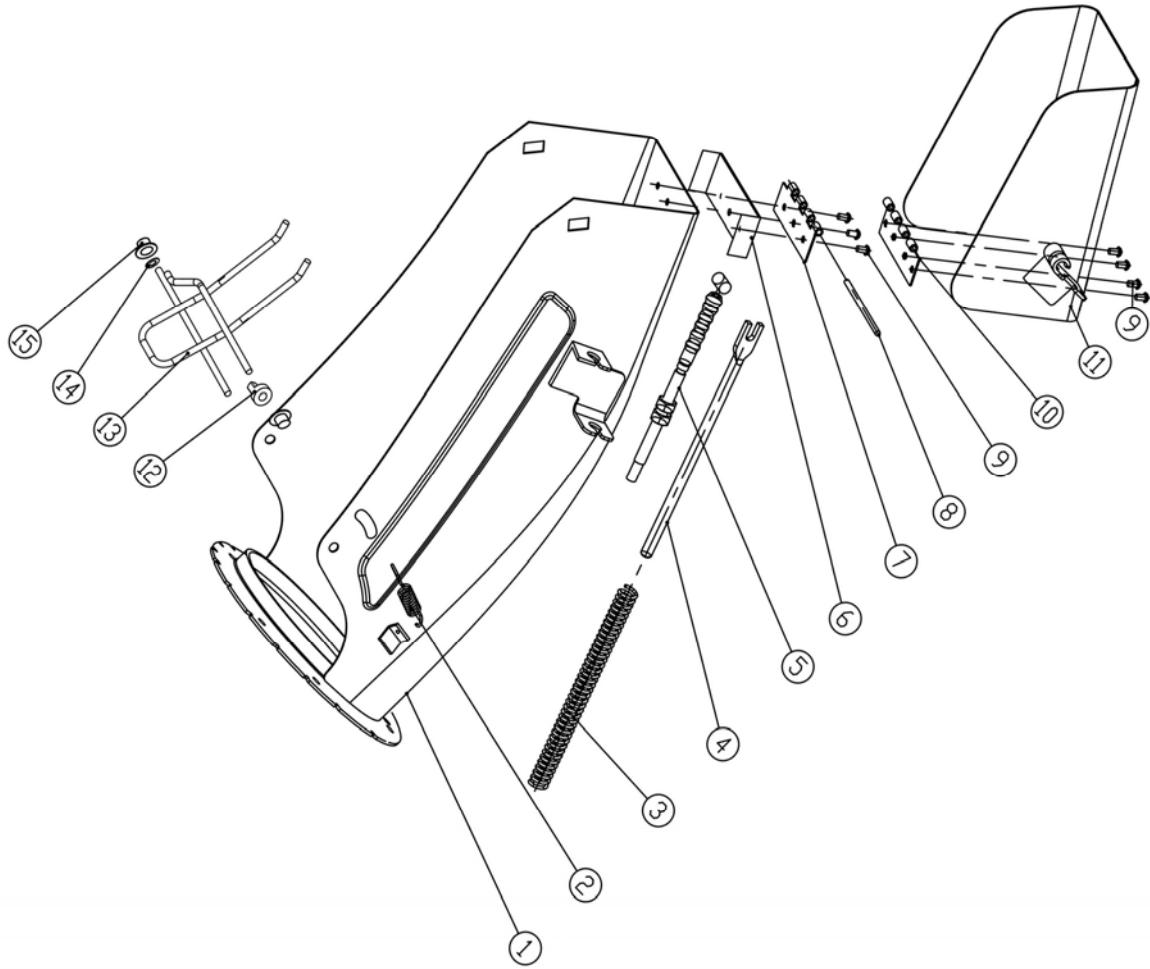
27	GB/T5780-2000	六角头螺栓M8X30	hex. Bolt M8*30	6
28	KC21-02-32	轴承座	bearing seat	2
29	GB/T899.1-200	六角锁紧螺母M8	hex. Lock nut M8	4
30	GB/T276-1997	深沟球轴承6004	deep groove ball bearing 6004	2
31	KCW-03	马蹄形销6X40	D pin 6*40	2
32	KC21-02C-06A	14寸驱动轴	14" driving shaft	1
33	GB/T879.2-2000	弹性圆柱销% C8X25	elastic cylindrical pin	1
34	GB/T1905-2003	平键6X6X22	parallel key6*6*22	1
35	KC21-02C-07	大齿轮	big teeth gear	1
36	KC21-02C-08	轴套	shaft sleeve	1
37	GB894.2-86	轴用弹性挡圈20	circlip20	1
38	GB/T9074.13-1988	六角头组合螺栓M6X16	hex. Bot assemblyM6*16	12
39	KC21-02-33	内轴承座	inner bearing seat	2
40	GB/T276-1994	深沟球轴承6000-ZN	deep groove ball bearing 6000-ZN	2
41	KC21-02-24	六角轴	hex. Shaft	1
42	GB/T894.1-1986	轴用弹性挡圈25	circlip25	1
43	KC21-02-13	拨动轴承	pull bearing	1
44	KC21-02-12	橡胶轮座	seat for change pulley	1
45	KC21-02-11-1	橡胶轮内圈	inner track for change pulley	2
46	KC55-02-15-2	变速轮橡胶圈	rubber ring for change pulley	1
47	KC21-02-55	齿轮	gear	1
48	KC55-02-21	小张紧轮	small tension pulley	2
49	KCM24-02C-18	张紧接头	tension connector	1
50	KC21-02C-09	固定块	fixed part	1
51	KC21-02C-10	小张紧板	big tension plate	1
52	KC21-02C-11	大张紧组件	big tension assmebly	1
53	KC90-02-15	弹簧	spring	1
54	KC21-02C-12	刹车拉簧	brake spring	1
55	KC21-02C-13	皮带轮	belt pulley	1
56	KC90-02-12	三角轴承座	triangle bearing seat	2
57	GB/T276-1997	深沟球轴承6002	deep groove ball bearing 6002	2
58	GB/T9074.13-1988	六角头组合螺栓M8X16	hex. Bolt assemblyM8*16	2
59	KC90-02-31	支撑杆	strut bar	1
60	KC55-02-10	隔套	spacer bush	2
61	S03*00493	B型销% C1.5X25	B pinchcock	1
62	KC21-02C-14	连接板组件	junction plate	1
63	KCM24-02C-09	回位弹簧	return spring	1
64	KC21-02C-15	摩擦盘支座	bracket for fric disc	1
65	GB/T899.1-2000	六角锁紧螺母M12	hex. Lock nutM12	1
66	KC55-02-40	支撑杆	strut bar	2
67	KC21-02C-16	箱体底板	bottom plate	1
68	14X5.00-6L	14寸轮胎左	14" wheel ,left	1



SFR-65 (2015)

4 / Bedienpanel Licht und Griffheizung

NO.	ITEM NO.		NAME	QTY
1	KC21-03-02	扶手	handle	2
2	KC21-03C-01	长拉线	long wire	2
3	KC21-03-11	输入电线	input wire	1
4	KC21-21	软轴组件	flexible shaft assembly	1
5	kc21-03A-01	控制面板	panel	1
6	GB/T12-1988	半圆头方颈螺栓M8X40	carriage boltM8*40	4
7	GB/T 6183.1-2000	六角法兰面锁紧螺母M8	hex. Flange lock nut M8	5
8	GB/T 70.1-1985	内六角圆柱头螺钉M6X6	Hex. socket head shoulder screwsM6*6	2
9	GB/T93-1987	弹性垫圈6	spring washer6	2
10	KC21-03C-2	手柄螺栓	handle bolt	2
12	KC21-03-15	长条灯	LED light	1
13	GB/T846-1985	十字槽沉头自攻螺栓ST3.5X16F	Cross recessed pan head tapping screw	2
14	KC21-03C-04	右控制手柄	right control pad	1
15	GB/T 6183.1-2000	六角法兰面锁紧螺母M6	hex. Flange lock nut M6	4
16	KC21-03-14	塑料面板	small plastic panel	1
17	GB/T 819-2000	十字槽沉头螺钉M6X16	Cross recessed countersunk head tappi	2
18	HY64	弧形开关	arc switch	2
19	KC30-03-10	档位手柄	gears control handle	2
20	GB/T41-2000	六角螺母M10	hex. nutM10	2
21	KC30-03-09	行走手柄杆	moving control handle	1
22	S03*00493	B型销c1.5x25	B pinchcock	4
23	GB/T12618-1990	开口型扁圆头抽芯铆钉 3.2X10	bottom cover for switch	4
24	KC90 • 04-04	电热手柄	heated handle	2
25	GB/T 70.1-1985	内六角圆柱头螺钉 M8X120	hex. Socket cap screwsM8*12	1
26	KC55-03-04	预紧弹簧	pretension spring	1
27	KC55 • 03-05-6	短套	short bush	2
28	KC30-03-28	上连接管	coennecting part, upper	1
29	GB/T879-2000	弹性圆柱销3X12	elastic cylindrical pin 3*12	1
30	KC55-03-21	出雪口帽拉线	chute cap control wire	1
31	KCW-01	单片式收尾扣帽8	Monolithic finish buckle hat8	1
32	KC30-03-19	旋转手柄	rotate handle	1
33	KC30-03-20	小摇杆	small rocker	1
34	KC21-03C-06	左控制手柄	left control pad	1
35	KC30-03-21	摇杆上固定座	fixed seat, upper	1
36	KC30-03-23	摇杆下固定座	fixed seat, lower	1
37	KC21-03-18	调节手柄杆	handle lever	1



**SFR-65 (2015) 5 / Verstellbarer Kamin**

NO.	ITEM NO.		NAME	QTY
1	KC21-10C-1	出雪口焊合	chute	1
2	KC55-03-17	手柄弹簧2	spring 2	1
3	KC30A-05-2	出雪口弹簧	spring for chute cap	1
4	KC30A-05-3	支杆	fulcrum bar	1
5	KC30A-05-4	出雪口拉线	chute cap control wire	1
6	KC30A-05-5	密封片	sealing	1
7	KC30A-05-6	下铰链	hinge, lower	1
8	KC30A-05-7	铰链轴	hinge axis	1
9	GB\T12618-1990	开口型扁圆头抽芯铆钉4X10	Mushroom head break mandrel blind rivets4*10	7
10	KC30A-05-8	上铰链	hinge, upper	1
11	KC30A-05-9	出雪口帽焊合	chute cap	1
12	KC21-23	栅栏垫圈	washer for fence	1
13	KC30A-05-10	安全栅栏	safety fence	1
14	KC55-26	塑料垫片	plastic pad	1
15	KCW-03	单片式收尾扣帽6	Monolithic finish buckle hat6	2