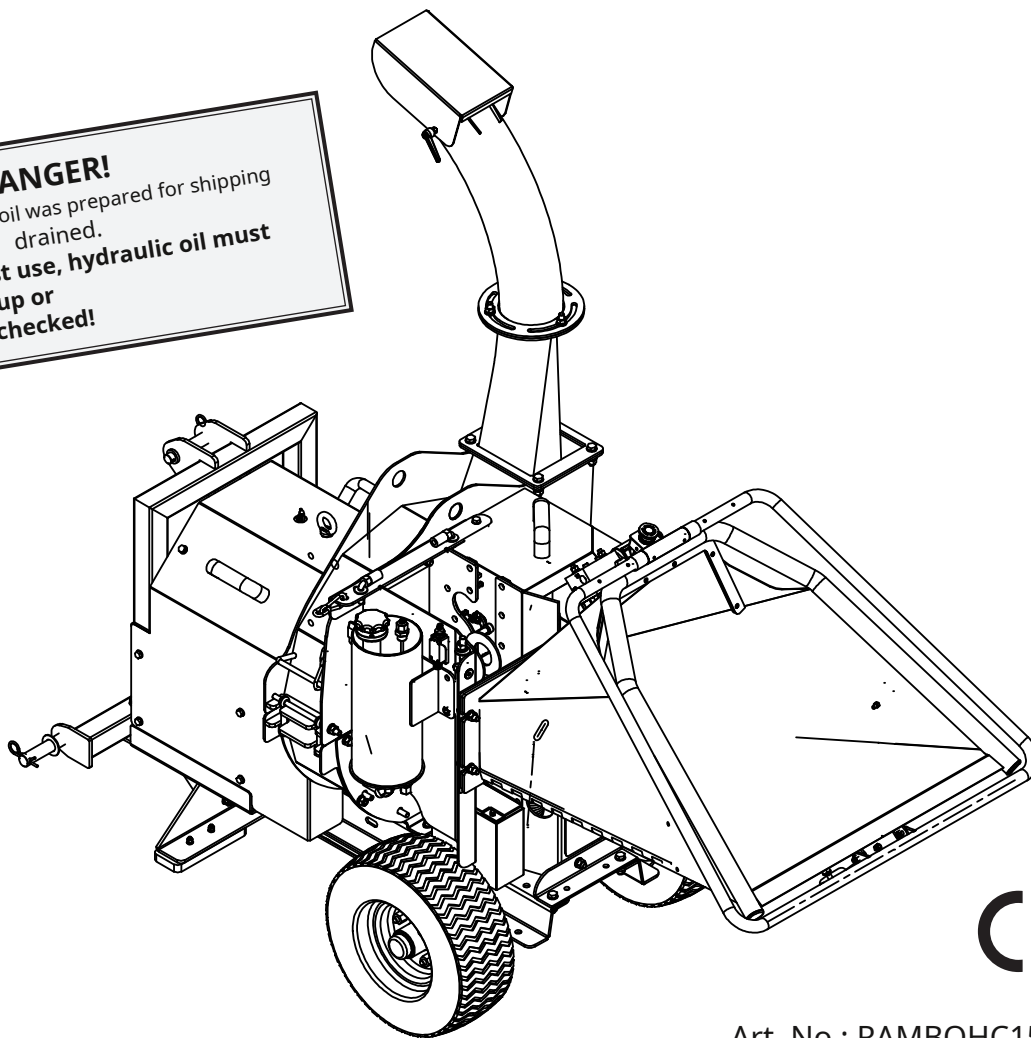




RAMBO-HC15HZ

DANGER!
The hydraulic oil was prepared for shipping
drained.
Before first use, hydraulic oil must
be topped up or
be checked!



Art. No.: RAMBOHC15HZ
www.lumag-maschinen.de

D

original operating instructions

PTO disc wheel shredder RAMBO-HC15HZ

Model: _____

Serial number: _____

Both the model number and the serial number can be found on the rating plate on the machine. You should keep both numbers in a safe place for future reference. This manual explains the basic functions and uses of the machine.

DANGER!The machine is delivered without hydraulic oil.

CONTENTS

| | |
|---|-----------|
| 1. GENERAL | 2 |
| 2. INFORMATION ON THE OPERATING INSTRUCTIONS | 3 |
| 3. INTENDED USE | 3 |
| 4. SCOPE OF DELIVERY | 4 |
| 5. TECHNICAL DESCRIPTION | 4 |
| 6. SPECIFICATIONS | 5 |
| 7. OPERATING HOURS RESTRICTION | 5 |
| 8. ENVIRONMENT | 5 |
| 9. SYMBOLS | 5 |
| 10. SAFETY INSTRUCTIONS | 6 |
| GENERAL SAFETY REGULATIONS | 6 |
| SPECIFIC SAFETY REGULATIONS | 9 |
| 11. CONTROLS | 11 |
| 12. FUNCTIONS | 12 |
| DEVICE UNIT | 12 |
| 13. ASSEMBLY | 13 |
| 14. BEFORE FIRST USE | 15 |
| 15. REFUELLING | 15 |
| HYDRAULIC OIL | 15 |
| 16. COMMISSIONING | 15 |
| PREPARATION FOR USE | 15 |
| 17. CHIPPING OPERATION | 16 |
| FOR CONSTIPATIONS | 17 |
| WHAT CAN BE CHOPPED | 17 |
| CHOPPED | 17 |
| 18. MAINTENANCE | 18 |
| MAINTENANCE | 18 |
| LUBRICATION OF FEED ROLLER, DISC WHEEL AND PTO UNIT MOUNTING SCREWS | 18 |
| RUBBER PROTECTIVE FLAP | 19 |
| KNIFE | 19 |
| V-BELT | 20 |
| CLEAN | 20 |
| MAINTENANCE PLAN | 21 |
| 19. TRANSPORT | 22 |
| 20. STORAGE | 22 |
| 21. TROUBLESHOOTING | 23 |
| 22. WARRANTY / GUARANTEE / CUSTOMER SERVICE | 24 |
| 23. EC DECLARATION OF CONFORMITY | 25 |
| 24. COMPONENTS OF THE MACHINE | 26 |

1st GENERAL



DANGER!
Read all safety instructions and instructions.

Use this manual to familiarize yourself with the machine, its correct use and the safety instructions. Keep this manual in a safe place so that you can refer to this information at any time.

If you hand the device over to other people, please also hand over the complete manual.

limitation of liability

We have endeavoured to provide as comprehensive information as possible on accident prevention during operation, but cannot be held responsible for any lack of completeness of the danger points listed and - sources should be held accountable.

The manufacturer assumes no liability for damages resulting from:

- Failure to follow the operating instructions
- Improper use of the machine
- Improper assembly, commissioning, operation and maintenance of the machine
- Operating the machine with defective safety devices or not properly attached or non-functional safety protection devices and
- Failure to observe the instructions in the operating manual regarding transport, storage, function, operation, maintenance and care of the machine
- Unauthorized structural changes to the machine
- Unauthorized modification of the machine
- Inadequate monitoring of machine parts subject to wear
- Improperly performed repairs
- Disasters caused by foreign bodies and force majeure

INFORMATION ON THE OPERATING INSTRUCTIONS / INTENDED USE

name machine

The term "machine" is the commercial name of the item to which this operating manual - see cover page - refers.

copyright protection

All documents are protected by copyright. Distribution and reproduction of documents, including extracts, as well as communication of the content are not permitted unless expressly agreed.

reservations

Information on technical data, dimensions and illustrations of the device as well as changes to safety standards are subject to further development and are therefore not binding for delivery in every case.

Printing and typesetting errors reserved.



DANGER!
The machine is delivered with hydraulic oil.

Before first use, HYDRAULIC OIL must be refilled!

2nd INFORMATION ABOUT OPERATING INSTRUCTIONS

This manual describes the functions, operation, maintenance and care of your new shredder. Please read it carefully and follow the instructions exactly to ensure your shredder has a long service life and safe operation for you. Observe the safety instructions and instructions provided as well as the local accident prevention regulations and general safety regulations applicable to the area of use.



Before starting any work on or with the machine, read the operating instructions, especially the Safety chapter and the relevant safety instructions. You must fully understand and follow what you have read. These are basic instructions and suggestions for accident prevention. Errors during operation, inspection and maintenance can result in injury or death.

3. INTENDED USE

The shredder is intended exclusively for shredding bushes, shrubs, bark and branches up to a branch thickness of 12 cm. The machine is not suitable for preparing garden soil.

Roots with soil, stones, glass, metal, textiles, kitchen waste, cardboard or plastic must under no circumstances be shredded with the machine.



Cuttings from conifers or similarly dense cuttings can lead to blockages!

Use is not considered as intended. The manufacturer is not liable for any resulting damage. The user bears the sole risk.

Observing the operating and maintenance instructions and carrying out maintenance work as well as adhering to the maintenance intervals are part of the intended use.

DANGER!
Persons who are not familiar with the operating instructions, children, young people and persons under the influence of alcohol, drugs or medication are not permitted to operate the machine.

SCOPE OF DELIVERY / TECHNICAL DESCRIPTION

4th SCOPE OF DELIVERY

After unpacking, check the contents of the box/ transport box for

- ▶ Completeness
- ▶ possible transport damage

Report any complaints to the dealer or manufacturer immediately. Complaints made later will not be accepted.

- A funnel
- B PTO unit, chassis & chopping unit Rotatable
- C discharge chute
- D three-point hitch



5th TECHNICAL DESCRIPTION

The disc wheel shredder is used to shred woody material, preferably in the garden area.

The machine is operated by means of a power take-off shaft.

The disc wheel shredder - with two blades and a counter blade - is driven by two V-belts. 10 movable blades on the disc wheel shred the already shredded material again to obtain an even finer discharge. The shredded material is ejected through the discharge chute using the 4 attached wings.

The material is fed in using a feed roller. This can rotate forwards and backwards and can be stopped, and the speed can be individually adjusted using a lever.

The high discharge chute with adjustable discharge flap enables a targeted flow of chopped material for loading wheelbarrows and organic waste bins. A wide chassis and wheels with pneumatic tires enable convenient transport. A support foot ensures a secure stand.

SPECIFICATIONS / OPERATING TIME LIMITATIONS
ENVIRONMENT / SYMBOLS

6th SPECIFICATIONS

| | |
|--------------------------|-----------------|
| Model | RAMBO-HC15HZ |
| drive | PTO |
| power requirements | |
| tractor | approx. 20 hp |
| PTO speed | max. 540 rpm |
| three-point hitch | Category II |
| hydraulic oil volume | 4.0 liters |
| Branch thickness Ø, max. | 120 mm |
| speed of the blades | 2,250 rpm |
| Weight (net/gross) | 345 / 395 kg |
| Guaranteed sound | |
| power level LwA | 114 dB(A) |
| dimensions (L/W/H) | 2900/965/1800mm |
| packaging (L/W/H) | 1900/840/1130mm |

° Max. branch diameter to be processed, depending on wood type and freshness.

* Actual performance during continuous operation is likely to be lower due to operating limitations and environmental influences.

The technical data was valid at the time of printing and is subject to change without prior notice.

7th OPERATING TIME LIMITATION

In residential and small settlement areas or on the grounds of hospitals and care facilities, shredders may not be operated all day on Sundays and public holidays, or on weekdays from 8 p.m. to 7 a.m. Please also observe the regional regulations on noise protection.

8th ENVIRONMENT

Please recycle waste and do not dispose of it as garbage. All tools, hoses and packaging must be sorted, taken to the local recycling center and disposed of in an environmentally friendly manner.

Please contact your local waste disposal authority to find out about options for environmentally friendly and proper disposal.

9th SYMBOLS

Symbols are attached to the machine. These represent important information about the product or instructions for use.

DANGER!
This is about your safety. This symbol indicates a danger, warning or caution.



Before commissioning, read and observe the operating instructions and safety information carefully.



Before cleaning, maintenance and engine repair work (e.g. from tractor) and disconnect the PTO shaft.



MANDATORY SIGNS
Read this instructions completely before using the machine. Failure to do so increases the risk of injury to the operator and other persons.



Always wear eye protection when operating the machine.



Always wear hearing protection when operating the machine.



Wear protective gloves.



Wear safety shoes with steel toes.



Protection and safety devices must not be removed or modified.



Getting caught in the rotating belt will cause hand injury. Always wear a belt guard.



WARNING! Keep hands and feet away from rotating blades.



Do not touch any openings, the feed in hopper or the discharge chute when the engine is running.



SYMBOLS / SAFETY INSTRUCTIONS



WARNING! Keep hands away from rotating parts.
Only touch machine parts when they have come to a complete standstill.
Never open or remove protective devices when the engine is running.



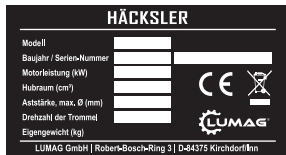
WARNING! Danger of objects being thrown when the engine is running.



There is a risk that branches, garden waste or other materials could suddenly be ejected. For this reason, bystanders, pets and livestock must never stand in front of or next to the shredder. When the engine is running, keep a sufficient safety distance of at least 12 metres.



chopping of branches of all kinds
up to max. 120 mm diameter, depending on the type and freshness of the wood.



nameplate
Equipped with model name, year of manufacture and serial number. Please always state this information when ordering spare parts or for service information.



old electrical/ motorized equipment are
They are recyclable materials and therefore do not belong in household waste! Please dispose of the components in an environmentally friendly manner.

HINWEIS für Häcksler:
Bei Verstopfung die Maschine sofort ausschalten und den Stillstand der Schneidwerkzeuge abwarten!
Aufgrund des Überhitzens der Fliehkraftkupplung besteht Gefahr, dass Keilriemen und Kupplung Schaden nehmen.

NOTE for Wood Chipper:
In case of blockage, switch off the machine immediately and wait for the spinning blades to stop!
Due to the overheating of the centrifugal coupling, Risk of damage to belt and clutch.

10. SAFETY INSTRUCTIONS

GENERAL SAFETY REGULATIONS

⚠ WARNING

Instructions on hazards, warnings and precautions must be strictly observed to minimize the risk of personal injury, property damage and improper servicing.

The relevant accident prevention regulations as well as other generally accepted safety and occupational health rules must be observed.

The machine must be checked for operational safety before each use.

Be careful with rotating tools. Maintain a safe distance!

Caution at trailing tools. The chopping blades may continue to run due to the flywheel. During this time, do not reach into the opening of the intake hopper or the discharge chute. You may only work on the machine once the cutting blades have come to a complete stop, the engine (e.g. of the tractor) has been switched off and the PTO shaft has been disconnected.

Before moving to a different location, switch off the engine (e.g. of the tractor) and disconnect the PTO shaft.

Only transport the machine in an upright position.

Operating the machine at a speed higher than that recommended in the 'Specifications' may cause engine damage.

A high speed increases the risk of accidents!

Understand your shredder

Read and understand the operating instructions and the labels affixed to the machine. Familiarize yourself with the application and limitations as well as the specific potential hazards associated with it.

Also, familiarize yourself with the controls and how to use them properly. Learn how to stop the machine and turn it off quickly.

SAFETY INSTRUCTIONS

Make sure you read and understand all the instructions and safety warnings in the manual. Do not attempt to operate the machine until you are familiar with the machine and know how to operate and maintain it properly. Incorrect operation or operation by inexperienced persons can be dangerous.

Children and young people under the age of 16 and untrained persons are prohibited from operating the machine.

work and danger area

The user is responsible to third parties in the work area.

Other people, especially children, pets and livestock, are prohibited from staying in the danger zone (at least 12 m) of the machine. Always check the immediate area before starting.

Do not use the machine in potentially explosive atmospheres or expose it to rain.

Before starting work, carefully inspect the material to be chopped. Remove any foreign objects such as nails, wires, etc. During work, watch for other foreign objects and remove them in good time.

Keep the work area tidy! Clutter can lead to accidents.

Never operate the machine in poor visibility or insufficient lighting conditions.

Personal Safety

Do not operate the machine when you are tired or under the influence of drugs, alcohol or medication that may impair your ability to operate the machine properly.

Dress properly. Wear long, strong pants, safety shoes and gloves. Do not wear loose clothing, shorts or jewelry of any kind. Secure long hair so that it stays above shoulder height. Keep your hair, clothing and gloves away from all moving parts. Loose clothing, jewelry

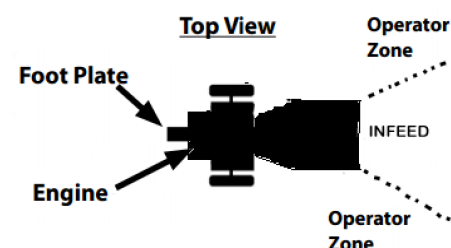
or long hair can easily get caught in moving parts.

Always wear good eye and hearing protection when operating the machine.

Always ensure that the surface is stable and level and that you have a secure footing. When inserting the shredded material, stand at the same level as the machine.

Do not work on uneven terrain or slopes. **Caution: risk of tipping over!**

Assume a working position behind the machine, to the side of the feed hopper. Never stand in the area of the discharge shaft.



Keep face and body away from the feed hopper.

Never reach into the feed or ejection chute.

Check She Her machine ^{before} the Commissioning. Check that the guards and protective covers are properly fitted and in good working order. Make sure that all nuts, bolts, etc. are securely tightened, especially the nuts on the chopping blades. Do not operate the machine if it is in poor mechanical condition and repair is necessary. Replace any damaged, missing or faulty parts before commissioning. Check the machine for worn blades. Keep the machine in perfect working order.

Do not use a machine if the switches cannot be turned on and off. Defective switches/levers must be replaced by an authorized service workshop.

Make it a habit to check that all keys and adjustment tools have been removed before starting the machine. An open-end or Allen wrench left in a rotating part can cause injury.

SAFETY INSTRUCTIONS

Stay alert and aware of what you are doing. Use common sense when operating the machine.

Do not overdo it. Do not operate the machine barefoot, do not wear sandals or similar light shoes. Wear safety shoes that protect your feet and improve grip on slippery surfaces. Always maintain a firm footing and a safe balance. This will give you better control of the machine in unexpected situations.

Avoid accidental starting. Make sure that the blade shaft is at a standstill before transporting the machine or carrying out maintenance or servicing. Transporting or servicing the machine with the engine running (e.g. of a tractor) and the PTO connected can be dangerous.

Safety when using and maintaining the machine

Do not lift or transport the machine while it is running.

Do not overload your machine. Work within the specified power range.

Never operate the machine without protective and safety devices. Inappropriate protective devices are a source of danger and can cause serious injuries.

Do not use the machine without the feed hopper and discharge chute.

Keep hands and feet away from rotating parts.

If the machine starts to make unusually loud noises or rotate, switch off the engine (e.g. tractor) immediately. Disconnect the PTO, wait until the chopping blades have come to a standstill and try to find the cause of the problem. Unusual noises or rotations are usually a warning of problems.

If there are blockages in the machine's inlet and outlet, switch off the engine (e.g. of the tractor) immediately. Disconnect the power take-off shaft and wait until the tools have stopped. Eliminate the problem immediately.

Always use original accessories. The use of other tools and accessories can lead to unforeseeable damage to the machine or pose a risk of injury to the user.

Check the machine for misalignment or seizure, breakage of parts, etc. to ensure the functionality and operational safety of the machine. Regular maintenance of the machine is an essential requirement for maintaining the safety and performance of the machine.

Use ~~no~~ petrol or other flammable solvents for cleaning machine parts. Vapors from fuels and solvents can explode.

Never pour water or any other liquid onto the machine. Keep the handles dry, clean and free of foreign objects. Clean after each use.

To protect the environment, observe the disposal laws and regulations for operating materials and operating materials with contaminated parts. Dispose of the operating materials as hazardous waste, even if only small quantities are involved.

Never leave the machine unattended while the engine is running.

Leave the machine, then switch off the engine (e.g. of the tractor), disconnect the PTO and secure the machine against unauthorized use. Park the machine out of the reach of children.

service security

Do not carry out any maintenance or cleaning work while the engine (e.g. of a tractor) is running. Moving parts can cause serious injuries.

Always disconnect the PTO before carrying out maintenance and repair work. Make sure that the engine (e.g. of the tractor) is turned off beforehand. This will prevent it from starting accidentally.

Always ensure that the machine is in a safe operating condition.

Are protective devices and work

SAFETY INSTRUCTIONS

If the tools are worn, they must be checked regularly and replaced if necessary. Damaged cutting tools (cracked, knocked out or otherwise damaged) must be replaced immediately. When replacing the chopping blades, use suitable tools and wear protective gloves.

Check nuts and bolts regularly to ensure they are tight and tighten if necessary.

Make sure all mudguards, straps and handles are correctly and securely attached.

After maintenance and repair work, always install the protective and safety devices on the machine and put them in the protective position.

Only use approved parts. This machine complies with the relevant safety regulations. Repairs may only be carried out by an approved service center or our service team. Always replace damaged or worn machine parts with original spare parts. This ensures that the machine remains safe.

electrical system

People wearing pacemakers must not touch the live parts of the ignition system when the engine is running.

SPECIFIC SAFETY REGULATIONS

Special safety for the shredder

When starting the engine (e.g. of a tractor), do not stand in the area of the ejection openings.

To avoid injury, keep fingers, hands and feet away from the feed hopper and discharge chute.

Always operate the machine from the side of the feed hopper. It is forbidden to stand in front of the discharge chute when the machine is in operation.

If handled improperly, the sharp edges of the knives can cause considerable

risk of injury. Make sure that the two chopping blades and the counter blade are correctly installed and securely fastened. Otherwise, serious injuries may occur.

Never operate the machine without the protective device installed and intact.

Carrying persons on the machine is not permitted.

Never place tools or other objects under the machine.

If the machine comes into contact with a foreign object, switch off the engine (e.g. of the tractor) and disconnect the PTO shaft. Check the machine for any damage. Have the damage repaired before you start the machine again and continue working.

If there are any blockages in the cutting unit and discharge, switch off the engine (e.g. of the tractor), disconnect the PTO and clean the cutting unit with a suitable tool.

Only start chopping when the engine (e.g. of a tractor) has reached the maximum speed.

Only operate the machine with sharp blades; this reduces the risk of kickback.

Always switch off the engine if chipping is delayed or when moving the machine from one location to another.

Always park the switched off machine on a firm, level surface.

residual risks and protective measures

Mechanical residual hazards

capture, winding

The machine can catch and pull in items of clothing, cords, wires and other foreign objects.

→ Check the shredded material for foreign objects. Wear tight-fitting clothing.

pulling in, catching

Rotating parts such as the blade mechanism can pull in and catch loose clothing.

→ Always wear tight-fitting protective clothing. Do not wear scarves, shawls, etc.

SAFETY INSTRUCTIONS

Squeeze

Careless handling of the shredded material can lead to serious injuries.

→ Feed the material to be chopped slowly and carefully into the feed hopper. **ATTENTION, automatic feed!** Never use your hands!

→ Always insert branches with the thick end first.

Never work with pressure.

Make sure you have a secure footing.

neglect of ergonomic principles

Negligent use of personal protective equipment (PPE)

negligent use or omission of personal protective equipment can lead to serious injuries.

→ Wear prescribed protective equipment.

Human behavior, misconduct

→ Always be fully concentrated on all work.

residual risk - Can never be ruled out.

danger from noise

hearing loss

Prolonged, unprotected work with the machine can lead to hearing damage.

→ Always wear hearing protection.

Other hazards

Slipping, tripping or falling of persons On unstable surfaces, you may cause injury by tripping.

→ Be aware of obstacles in the work area. Always ensure you have a secure footing and wear safety shoes.

Behavior in an Emergency

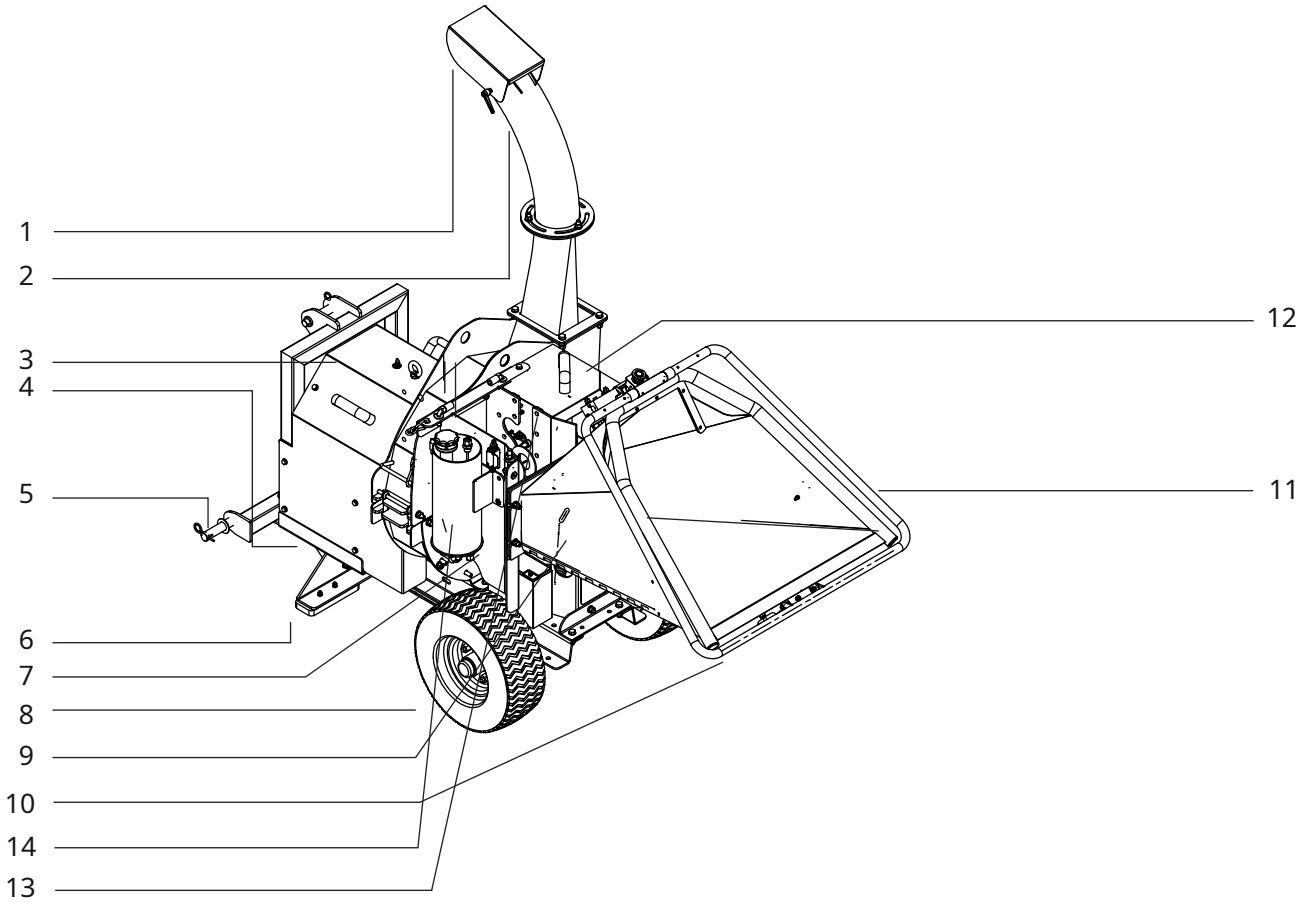
If an accident occurs, initiate the necessary first aid measures and request qualified medical assistance as quickly as possible.

When requesting assistance, please provide the following information:

- where it happened
- what happened
- how many injured
- what type of injury
- waiting for questions

CONTROLS

11. CONTROLS



- 1 Adjustable discharge flap
- 2 Rotating discharge chute
- 3 PTO unit (maintenance flap + grease nipple)
- 4 Drawbar mount (not visible in picture) Three-point
- 5 hitch
- 6 stand
- 7 disc wheel housing
- 8 wheel
- 9 foldable feed hopper
- 10 forward-return feed roller
- 11 Speed of feed roller (not visible on picture)
- 12 Maintenance cover oil pump + feed unit
- 13 maintenance flap feed roller
- 14 hydraulic oil tank

FUNCTIONS

13. FUNCTIONS

DEVICE UNIT

Adjustable discharge flap (1)

The throwing distance and throwing direction of the shredded material can be changed by adjusting the flap on the discharge chute.

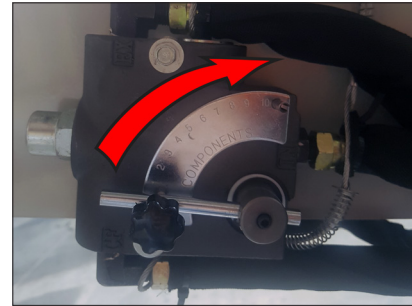
Foldable feed hopper (9)

The feed hopper can be folded for the Clean the feed roller and to remove blockages.

feed roller speed (11)

With the lever you can increase the speed of the feed roller by pushing the lever in the direction of the arrow (position 10) or reduce or switch it off by pushing the lever in

Pull to the starting position (position 0, see photo).

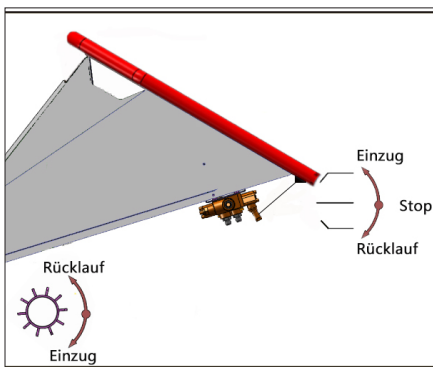


DANGER!

Before commissioning the Machine must be cleaned the collection and ejection funnel as well as all machine components are properly assembled.

forward and reverse feed roller (10)

The feed roller has a forward and reverse motion. You can adjust this with the lever on the feed funnel. This can also be used to stop the feed roller (see photo).



DANGER!

Before commissioning, check that the feed roller is running correctly.

ASSEMBLY

13. ASSEMBLY

The machine consists of parts that weigh more than 20 kg. These parts must always be carried/pushed by at least two people.

- PTO unit, chassis & chopping unit
- feed hopper
- Rotating ejection chute
- three-point hitch

The machine is delivered partially disassembled. Assembly steps 1 - 7 must be observed.

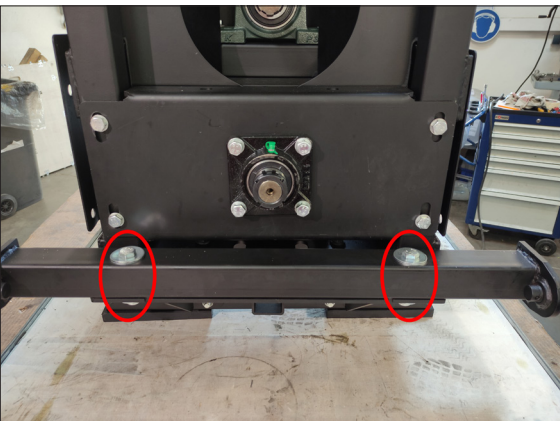
A NOTICE

At least two to three people are required for assembly. Only install assembly parts when the engine (e.g. of a tractor) is switched off and the PTO shaft is disconnected.

Step: 1

Install three-point hitch (D/5)

Mount the three-point hitch to the chassis with 2 M12x75 bolts, washers and nuts.



Step: 2

Install the rotating ejection chute (C/2)

Position the discharge chute so that the mounting holes on the disc wheel housing line up with the holes on the discharge chute. With the help of a second person, mount the discharge chute with 4 M16x30 screws, washers and nuts.

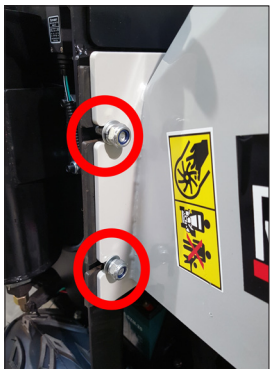
Then tighten all 4 screws again!



Step: 3

(A/9) mount

kidneys that the feed hopper with place match. open the screw this already installed



ASSEMBLY

Step: 4

Install the feed roller (11) speed

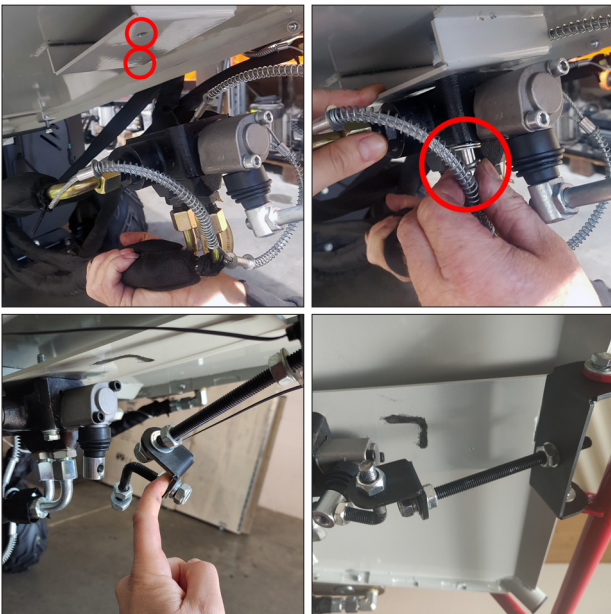
Mount the feed roller speed lever to the feed hopper using the screws and nuts already present in the hopper (see pictures).



Step: 5

Mount the feed roller (10)

Using the screws and nuts already present in the hopper, mount the lever for forward and reverse feed roller on the feed hopper and connect it to the operating lever (see pictures).



DANGER!
Before use, check that the feed roller is running correctly. When the lever is fully pressed, the reverse motion must be activated to prevent accidental feeding!

Step: 6

Secure hydraulic hoses with brackets

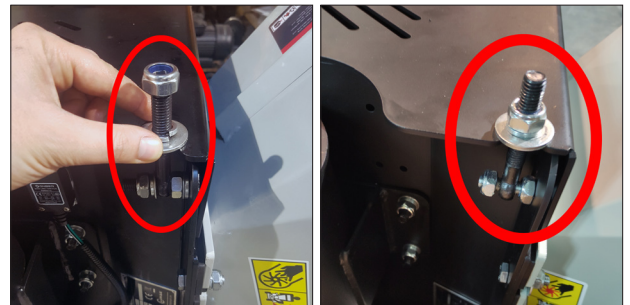
Loosen one of the two screws already in the feed hopper and fold the retaining plate away to one side. Now insert 4 hydraulic hoses, fold the retaining plate back into its original position and screw it back onto the feed hopper.



Step: 7

Screw the maintenance cover of the feed roller (13)

Finally, screw the maintenance flap tight using the existing screw.



DANGER!
All screw connections again check and tighten if necessary!

**BEFORE FIRST USE / REFUELLING
COMMISSIONING**

14. BEFORE FIRST USE

A NOTICE

The device is not supplied with hydraulic oil. Fill the machine as described under "FUELLING".

15. REFUELLING

DANGER!

You may only carry out the work described in this chapter after you have **safety instructions** read and understood. It concerns your personal safety!

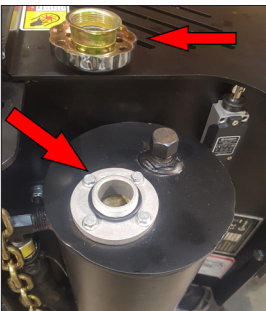
A NOTICE

Before first use, hydraulic oil must be filled! Incorrect oil filling can lead to irreparable damage to the machine. In this case, the seller and manufacturer distance themselves from any warranty.

To check the oil level, the machine must be on a level surface and switched off.

HYDRAULIC OIL

1. Commercially available hydraulic oil with the specification **HLP46** use.
2. Unscrew the tank cap on the hydraulic oil tank (14).
3. Top up hydraulic oil.
4. Replace the tank cap and tighten it.
5. Wipe away any oil residue/dirt.



hydraulic oil tank (14)

Hydraulic oil capacity: 4.0 liters Do not overfill!

16. COMMISSIONING

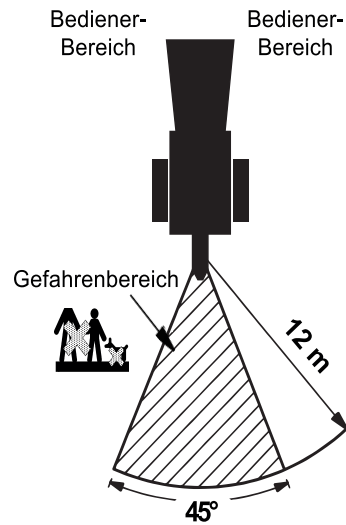
PREPARATION FOR USE

- Make sure that the machine is completely and correctly assembled.
- Only use the machine on a level and solid surface. **Attention, risk of tipping over!**
- Only set up the machine outdoors. Keep at least 3 meters away from house walls or other rigid objects.



DANGER!
It is forbidden to stay in the danger area of the shredder when starting and operating it.

- Mark out an area of at least 3 m wide and 12 m long on the side of the discharge chute. Check the immediate area before starting. Pay particular attention to children, other people and animals.



- When chopping, chopped material, stones, etc. can splash away. **No other persons or animals may be in the ejection area = danger zone.**
- Also pay attention to vehicles, windows and other objects so that they are not damaged.

⚠️ WARNUNG

When shredding, care must be taken to ensure that no one can be injured by thrown-out shredded material.

CHIPPING OPERATION

- Check the tire pressure regularly (approx. 1.7 bar)
- Check that the blades are in good condition and properly attached. Blunt blades can be turned over.

A NOTICE

Severely damaged or bent blades must be replaced with new blades.

⚠ WARNING

Only operate the machine when all blades are correctly inserted and secured. Furthermore, make sure that all guards are in place and in protective position.

17. CHIPPING OPERATION

Before each use, check the machine for:

- loose screws and nuts
- damaged rubber flap in the feed hopper, replace if necessary
- Function of the safety circuit
- properly installed protective devices and their protective position
- Hydraulic oil level
- Cracks in the cladding panels and/or loose welds

- Damage or breakage to the disc wheel / feed roller



Wear tight-fitting clothing and personal protective equipment (PPE)

- Always work on a stable, level surface. Secure the machine against accidental rolling away (wheel chocks). Do not operate the machine when it is on a slope.
- Do not use the machines without the two wheels and the support leg mounted.
- The working position is to the side of the machine's feed hopper. Never stand in the area of the discharge chute.
- Never use a stepladder or other elevated position to fill the hopper with clippings.
- Never reach into the input or output openings.
- Keep your face and body away from the feed opening. **Keep sufficient distance!**
- Do not place hands, other body parts or clothing into the feed hopper or discharge chute or near other moving parts.
- **Danger!** When chopping, keep a safe distance and do not lean too far forward. Longer pieces of chopped material that protrude from the hopper can spring back when they are drawn in by the feed roller.
- Before starting, check that there are no chopped residues in the hopper.
- Chopping may only take place once the required PTO speed has been reached.
- Never tilt the machine while the engine is running.

CHIPPING OPERATION

- When loading, make sure that there are no foreign objects such as nails, wires, stones, etc. into the feed hopper.



hands always before **A-** and **Keep away from ejection openings!**

For constipation:



Turn off the engine (e.g. of a tractor) and out of For safety reasons, disconnect the PTO shaft!

- Only remove shredded material lying across the hopper when the engine (e.g. of a tractor) is turned off, the PTO is disconnected and the disc wheel is at a standstill. Only use another branch or piece of wood to remove it.
- If there are blockages in the machine's inlet and outlet, or if there are unusual noises or vibrations, switch off the engine (e.g. of the tractor) immediately. Disconnect the power take-off shaft and wait until the tools have come to a standstill. Any faults must be rectified immediately.
- Never leave the machine running.
- **When changing the blades, switch off the engine (e.g. of the tractor) and disconnect the PTO shaft. After one hour of use, check that all screws and nuts are tight.**
- Repairs may only be carried out by an approved service center or our service team.

branches up to Ø 120 mm, branches, bushes or Green waste can be chopped.



ATTENTION! As soon as the engine (e.g. of a tractor) is running and the PTO shaft is driven, the device can be used for chopping!

Put the material to be chopped (branches, twigs, etc.) into the feed hopper. The feed roller forward/reverse lever (10) can be used to draw in the material to be chopped (not pressed), stop it (pressed once) or push it back (pressed all the way through). When the feed roller catches the branches, release the material to be chopped immediately. You can increase or decrease the speed of the feed roller using the feed roller speed lever (11). **Insert thick branches in small doses!**

First saw off side branches longer than 3 cm and insert them separately.

Shredded material protruding from the machine can thrash around when it is drawn into the machine. Therefore, keep a sufficient safety distance from the machine.

A NOTICE

The hardness of the branches to be chopped depends on the type of wood, the time between cutting and chopping, and how dry the branches are. Optimum results are achieved when the branches are chopped shortly after cutting.

WHAT CAN BE CHOPPED?

JA Organic waste from the garden, such as hedge and tree cuttings, bushes, perennials and branches up to max. Ø 120 mm.

NEIN Stones, roots with soil, glass, fabric scraps, plastic and metal parts, food waste.

CHOPPING

Regard Shred on as possible DRY Shredded material! Shredded material that is too wet inevitably leads to blockages and time-consuming cleaning or maintenance work.

- Thin and long bushes or branches are drawn in very quickly. For this reason, you should release this shredded material very quickly.
- Process shredded material with a high water content alternately with woody material to avoid clogging the machine.
- **The feed roller draws in the chopped material automatically.**
- Observe the maximum branch diameter to be processed (see "SPECIFICATIONS"). Depending on the type and freshness, the maximum branch diameter may be reduced.
- If the cutting unit becomes blocked, switch off the engine (e.g. of the tractor) immediately to avoid overloading the machine. Disconnect the PTO shaft and eliminate the fault!

MAINTENANCE

18th MAINTENANCE

⚠ WARNING

Improper maintenance or failure to take care of or correct a problem can create a hazard during operation. Only operate machines that are regularly and properly maintained. Proper maintenance and lubrication will help keep the machine in perfect working order.

All persons carrying out maintenance work on the machine must be technically qualified and appropriately trained. They must be aware of all dangers and risks associated with the machine. Any further work not described in this manual may only be carried out by a qualified specialist workshop.

⚠ WARNING



Before any cleaning, maintenance and repair work Switch off the engine (e.g. of the tractor), wait until the chopping blades have stopped and disconnect the PTO shaft.



When working in the area of the blades, wear protective gloves!

MAINTENANCE

1. Switch off the engine (e.g. of tractor) and disconnect the PTO shaft.
2. Wait until the chopping blades have come to a standstill.
3. Inspect the general condition of the machine.
The machine is exposed to vibrations during operation. Therefore, all screw connections must be checked for tightness after a few hours.
4. The feed hopper and knives must be carefully maintained to avoid damage and injury.
5. Make sure that the machine is in a safe operating condition.
6. After each use, any dirt and debris that has accumulated on the machine must be removed. Use commercially available multi-purpose oil to clean all

lightly oil the moving parts.

7. Use only genuine parts. Other parts may cause unforeseeable damage and injury.

8. After repair and maintenance work, properly refit and check the guards on the machine.



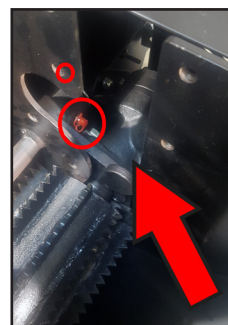
Never use a high-pressure cleaner to clean the machine. Water can penetrate into narrow slots and damage spindles, pulleys and bearings. Using a high-pressure cleaner will result in a shortened service life and operational capability.

LUBRICATION OF FEED ROLLER, DISC WHEEL AND PTO UNIT

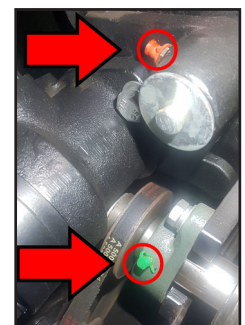
Dispose of oily and greasy parts as well as used oil in accordance with legal regulations.

Grease the bearings of the feed roller, the disc wheel and the PTO unit at the grease nipples after each **25 operating hours** and lubricate with a grease gun after each cleaning.

The grease nipple is located under the feed roller maintenance flap (13) and under the PTO unit flap (3). Loosen the screw on the feed roller maintenance flap and fold it to the side to open the feed roller maintenance flap. The grease nipple is located behind the feed roller (see images 1+2). The PTO unit's lubrication points are located under the flap; to do this, the screws and the lifting hook must be unscrewed. All lubrication points can then be greased (see images 3+4).



1 >>>

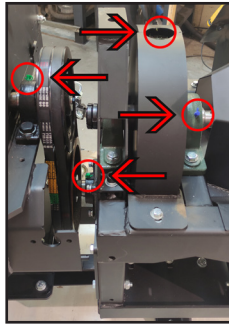


2

MAINTENANCE



3 >>>



4

1. Clean the grease nipples with a cloth.
2. Place the grease gun on each nipple one after the other and pump in grease.
3. Wipe away any excess grease.

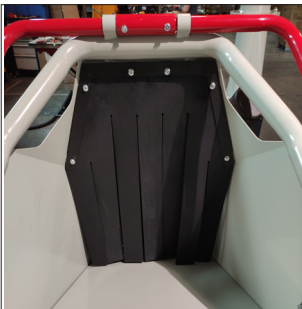
After greasing, the maintenance flap for the feed roller (13) and PTO shaft unit (3) must be closed properly again. Make sure that the safety switch is firmly in place and activated when closing the maintenance flap for the feed roller!

FASTENING SCREWS

After ^{respectively} **1 operating hour** all fastening screws ^{on solid seat} check, tighten if necessary, ^{in particular} the fastening screws of the feed hopper, discharge chute and the blades.

G

D **I** **W** **G** **pppe** ^{before} ^{everyone} Check with every care and wear, if necessary with washing.



KNIFE



Switch off the engine (e.g. of a tractor) and disconnect the PTO shaft!



Wear protective gloves!

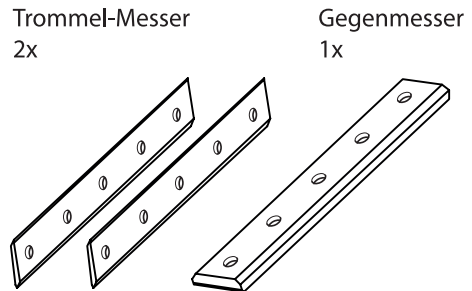
- Knives are blunt when
- the power requirement is increasing
 - increased proportion of overlengths in the chopped material
 - the drive belt slips despite tension.

After approx. **30-50 operating hours** the cutting edges of the knives are blunt. These are located in the disc wheel housing (7).

The two blades of the disc wheel each have one cutting edge and can therefore only be used on one side.

The counter knife can be used on one side.

The fastening screws of the blades must be tightened with 60Nm and medium screw locking compound if you change them.



MAINTENANCE

Blunt knives cannot Damaged blades (cracked, knocked out, severely bent or otherwise damaged) must be replaced immediately.

After cleaning, lubricate or oil all lubrication points and let the machine run briefly so that any water that has penetrated is pressed out again.



The machine must not be operated if the blades are not fully inserted!

For all spare parts must the Original versions of the manufacturer are used.

V-BELT

The both V-belt ^{before} ^{before} ^{everyone} **commissioning** check their condition.

When changing a V-belt, both V-belts must always be replaced.

1. Remove the V-belt cover.
2. If the V-belts show wear, they must be replaced.

The V-belts must be placed loosely. If they are forced onto the V-belt pulley, there is a risk that they will be damaged and break after a short time.

The V-belts must be pre-tensioned so that they can be pushed through in the middle by approx. 8-10 mm using thumb pressure.

V-belt type: **B1118L**(2 pieces)

CLEANING

Clean the machine regularly to ensure optimal functioning.

dirt accumulations (Schnitzel, wood scraps, Any dirt (dust, greenery, etc.) inside the machine must be removed. Use a soft brush or vacuum cleaner to remove this dirt

Use a dry cloth to remove dirt from the chassis. When cleaning, never direct water at the bearings.

MAINTENANCE

MAINTENANCE PLAN

| maintenance work | Before everyone use | After everyone use | After 1 each BTS* | After the first 5 BTS* | All 25 BTS* | All 30-50 BTS* | All 100 BTS* | At Requirement | Every season |
|---|---------------------|--------------------|-------------------|------------------------|-------------|----------------|--------------|----------------|--------------|
| Check the machine | ■ | | | | | | | | |
| Check safety circuit (emergency stop button) | ■ | | | | | | | | |
| protective devices and rubber protective flap check | ■ | | | | | | | | |
| fastening screws check, if necessary follow suit | | | ■ | | | | | | |
| Refueling and checking hydraulic oil level | ■ | | | | | | | | |
| cleaning the machine | | ■ | | | | | | | |
| Check the V-belt | ■ | | | | | | | | |
| checking the knife | ■ | | | | | | | | |
| changing blades | | | | | | ■ | | | |
| lubrication knife drum | ■ | | | | ■ | | | | |

* BTS = operating hours
 1 under normal operating conditions

19. TRANSPORT

WARNUNG

Before transporting or moving the device or storing it indoors:

- Transport the machine in an upright position to avoid oil leakage.
- When transporting the machine on a vehicle, tie it down properly.

A NOTICE

Only transport the machine upright!

A NOTICE

The machine is not approved for use on public roads!

20. STORAGE

Storing the machine for a month or longer.

- Thoroughly remove any shredded material, dirt and deposits from the machine. Avoid spraying with a strong water jet (e.g. high-pressure cleaner), as water could enter the bearings and damage them. Treat all moving parts with an environmentally friendly oil (**Do not use fat!**) and run the machine briefly (let it run for 1-2 minutes).
- Replace worn or damaged parts. Make sure that all screw connections are tightened.
- Cover the machine to protect it from dust and store it in a dry, clean place, out of the reach of children.
- Secure the machine against rolling away and unauthorized use (wheel chock). The machine must not be stored outdoors.

TROUBLESHOOTING

21. TROUBLESHOOTING



- Before any troubleshooting
- Switch off the engine (e.g. of a tractor)
 - Wait for the chopping blades to stop
 - Disconnect the PTO shaft

| Disturbance | Caused | remedy |
|--|---|--|
| Reduced cutting performance or decreases | knives are blunt | replacing blades |
| | V-belt slips | Tighten the V-belt. |
| The shredded material is not collected | feed roller switched off | Turn on the feed roller |
| Excessive vibration | Blades, screws, nuts or other parts loose | Stop the engine immediately! Check that all nuts and bolts are tight, replace damaged parts, adjust the V-belt tension. |

If these measures do not resolve the problem or if errors occur that are not listed here, have your machine checked by a specialist.

WARRANTY / GUARANTEE / CUSTOMER SERVICE

22. WARRANTY / GUARANTEE CUSTOMER SERVICE

WARRANTY

On the Device ^{becomes} the legal Warranty period is given. Any defects that can be proven to be due to material or assembly errors must be reported to the seller immediately. Proof of purchase of the device must be provided by presenting the invoice and receipt when making a warranty claim.

The warranty is excluded with regard to parts if defects have arisen due to natural wear and tear, temperature or weather influences or due to defects resulting from negligent assembly, faulty connection, incorrect fuel/fuel mixture, installation, operation, maintenance, lubrication or force.

Furthermore, damage caused by inappropriate or improper use of the machine, such as improper modifications or

repair work of the owner or third parties, but also in the event of intentional overloading of the machine.

Wear parts with a limited service life (e.g. V-belts, clutch, throttle cable, spark plug, air filter, battery, blades, hoses, wheels, tools and other aids) as well as all setting and adjustment work are excluded from the warranty.

GUARANTEE

LUMAG guarantees flawless quality and, without prejudice to the statutory warranty, provides a guarantee in the event of material or manufacturing defects. The guarantee for LUMAG products is 24 months for exclusively private use, and 12 months from the delivery date for commercial or professional use or rental. Warranty claims must always be proven by the buyer using the original purchase receipt. A copy of this must be enclosed with the warranty application. The buyer's address and machine type must be clearly identifiable for professional or commercial use. Without the original purchase receipt, we can only carry out the repair for a fee.

Please do not send any devices back to us without a SERVICE NUMBER that you have received from our service department. If we receive devices unsolicited, we cannot accept and process them. To request a SERVICE NUMBER, please contact our service team at:

info@lumag-maschinen.de

Please clearly label the shipping box with the SERVICE NUMBER to ensure quick identification.

Warranty work is carried out exclusively by our LUMAG service workshop. Defects that occur within the warranty period due to material or manufacturing defects must be remedied by repair if they have occurred despite proper use and care of the device. We reserve the right to make two repairs if the same defect occurs. If repair fails or is impossible, the device can be exchanged for an equivalent device. If the exchange is also unsuccessful or impossible, there is the option of a replacement.

Normal Wear and tear, natural aging, improper use ^{as well as} cleaning, Maintenance and adjustment work is generally not covered by the guarantee (e.g. cutting device, air and fuel filters, spark plug and recoil starter, drive belt, etc.). Due to operation and use, some components are subject to normal wear and tear, even when used as intended, and may need to be replaced in good time.

CUSTOMER SERVICE

If you have any technical questions, information about our products or would like to order spare parts, our service team is available as follows:

Service hours: Monday to Thursday
from 7:30 a.m. to 12 p.m. and 1 p.m. to 5 p.m.,
Friday from 7:30 a.m. to 12:30 p.m.

Phone: + 49 8571 / 92556-0
Fax: + 49 8571 / 92556-19
E-mail: info@lumag-maschinen.de

CE DECLARATION OF CONFORMITY

23. EC DECLARATION OF CONFORMITY

In accordance with the provisions of the EC directives

Machinery Directive 2006/42/EC

explains the company

LUMAG GmbH
Rudolf-Diesel-Straße 1a
D-84375 Kirchdorf/Inn
Telephone: +49 571 / 92556-0
Fax: +49 8571 / 92556-19

that the product

Designation: PTO disc wheel shredder Type
designation: RAMBO-HC15HZ

meets the essential protection requirements of the above-mentioned EC directives.
Conformity is based on the following standards:

EN 13683:2003+A2:2011
Garden Tools - Motorized Shredders/Choppers - Safety

Person authorized to compile the technical documentation: Christopher Weißenhorner

The declaration of conformity refers only to the machinery in the condition in which it was placed on the market; it does not take into account any parts and/or interventions subsequently fitted by the end user.

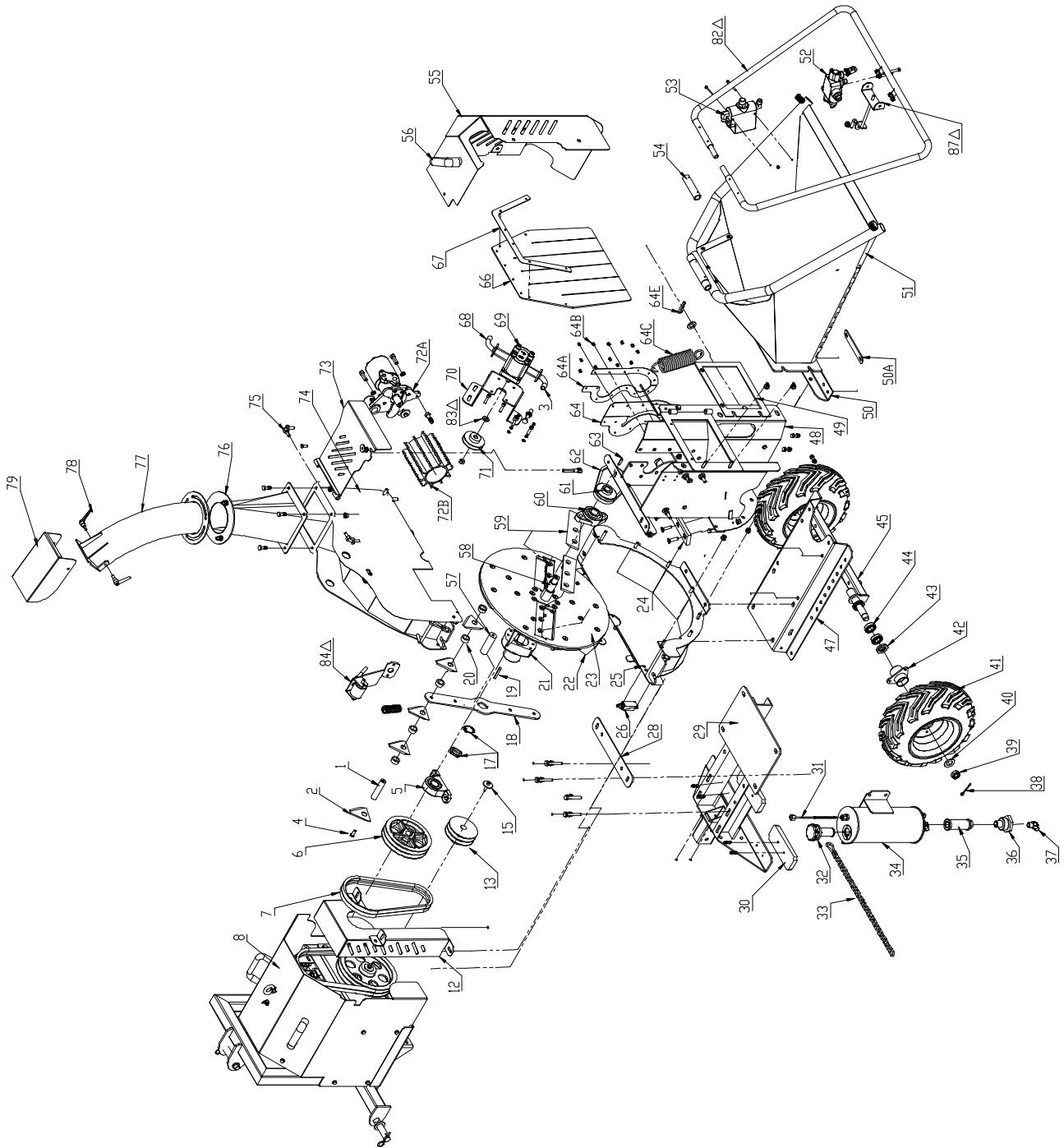
Kirchdorf, August 15, 2018

Christopher Weißenhorner, Managing Director

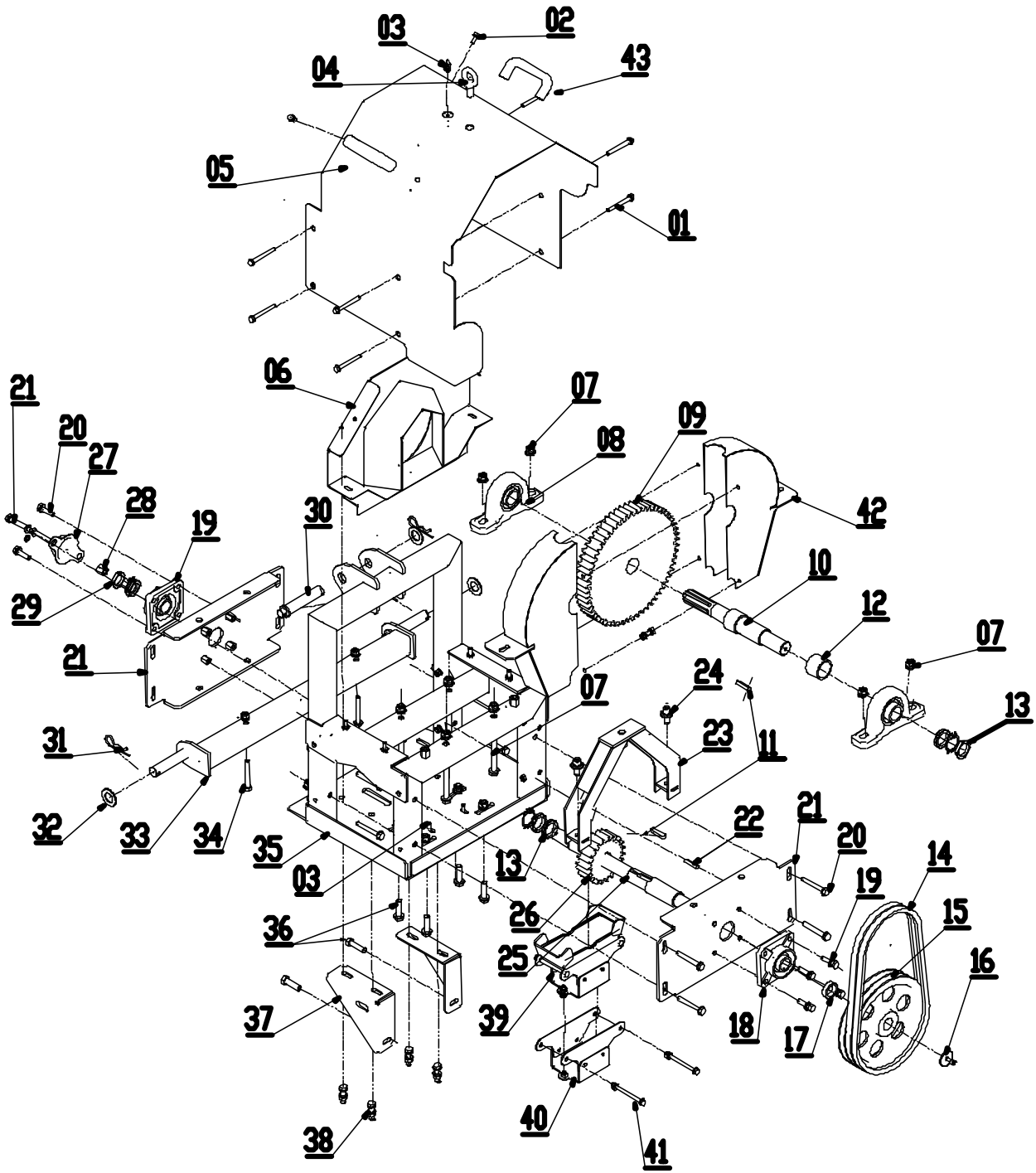
distributor, authorized representative


Place / date
Signature

COMPONENTS OF THE MACHINE



COMPONENTS OF THE MACHINE



LUMAG specialist dealer
can be found at: www.lumag-maschinen.de

LUMAG GMBH

Rudolf-Diesel-Str. 1a
D-84375 Kirchdorf a.Inn
Germany

[Internet:www.lumag-maschinen.de](http://www.lumag-maschinen.de)



/lumag.germany



/LumagMaschinen



/+LumagMaschinen