

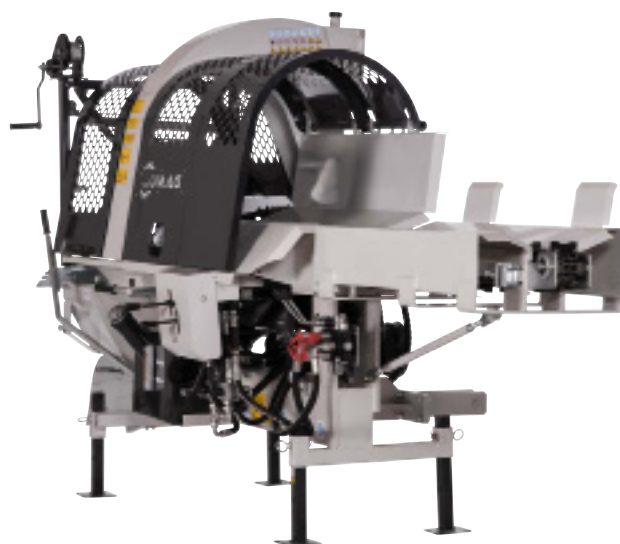


SSA-500EHPRO/S SSA-500ZHPRO/S

DANGER!
Before first use
all filling levels of the operating
be checked!



No.: SSA500EHPROS



Art. No.: SSA500ZHPROS
www.lumag-maschinen.de

D

original operating instructions

Hydraulic firewood processor SSA-500EHPRO/S

Hydraulic firewood processor SSA-500ZHPRO/S

Model: SSA-500EHPROS

Model: SSA-500ZHPROS Serial number: _____

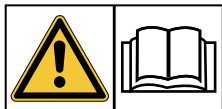
Both the model number and serial number can be found on the rating plate on the machine. You should keep both numbers in a safe place for future reference.

**FOR YOUR SAFETY, READ THE ENTIRE INSTRUCTIONS BEFORE OPERATING
OPERATING INSTRUCTIONS**

TABLE OF CONTENTS

1. General	2
2. Information on the operating instructions	3
3. Intended use	3
4. Scope of delivery	4
5. Environment	4
6. Technical data	4
7. Symbols	5
8. Security	7
9. Transport of SSA-500EHPRO/S	9
10. Commissioning	9
10.1. Preparation for use	9
10.2. Drive by electric motor	10
10.3. Drive by PTO	10
10.4. Switching off the machine	11
11th operation	11
11.1. Operating the hydraulic system	11
11.2. Adjusting the conveyor belt	11
11.3. Operation of the machine	12
12. Procedure for a jammed piece of wood	14
13. Maintenance	14
13.1. Maintenance	14
13.2. Change / check hydraulic oil	15
13.3. Sharpening the splitting cross	16
13.4. Fastening screws	16
13.5. Tires	16
13.6. Tensioning the saw chain	16
13.7. Cleaning	16
14. Storage	16
15. Troubleshooting	17
16. Warranty/Guarantee/Customer Service	18
17. EC Declaration of Conformity	19
18. Components of the machine (SSA-500EHPRO/S)	20
19. Components of the machine (SSA-500ZHPRO/S)	21
20. Electrical diagram	22
21. Hydraulic diagram	23
22. Notes	24

1st GENERAL



DANGER!
Read all safety warnings and instructions.

Use this manual to familiarize yourself with the machine, its correct use and the safety instructions. Keep this manual in a safe place so that you can refer to this information at any time.

If you hand the machine over to other people, please also hand over the complete manual.

limitation of liability

We have endeavoured to provide as comprehensive information as possible on accident prevention during operation, but cannot be held responsible for any lack of completeness of the danger points listed and - sources should be held accountable.

The manufacturer assumes no liability for damages resulting from:

- Failure to follow the operating instructions
- Improper use of the machine
- Improper assembly, commissioning, operation and maintenance of the machine
- Operating the machine with defective safety devices or not properly attached or non-functional safety protection devices and
- Failure to observe the instructions in the operating manual regarding transport, storage, function, operation, maintenance and care of the machine
- Unauthorized structural changes to the machine
- Unauthorized modification of the machine
- Inadequate monitoring of machine parts subject to wear
- Improperly performed repairs
- Disasters caused by foreign bodies and force majeure

name machine

The term "machine" is the commercial name of the item to which this operating manual - see cover page - refers.

copyright protection

All documents are protected by copyright. Distribution and reproduction of documents, including extracts, as well as communication of the content are not permitted unless expressly agreed.

GENERAL / INFO / INTENDED USE

reservations

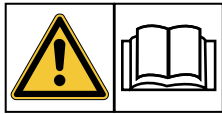
Information on technical data, dimensions and illustrations of the machine as well as changes to safety standards are subject to further development and are therefore not binding for delivery in every case.

Subject to printing and typesetting errors.

2nd INFORMATION ABOUT OPERATING INSTRUCTIONS

This operating manual provides important information on how to use the machine properly. The prerequisite for safe working is correct compliance with all safety instructions and handling instructions.

In addition, the local accident prevention regulations and general safety regulations applicable to the area in which the machine is used must be observed.



The operating instructions is before beginning the Please read the instructions carefully before using the device for the first time! They are part of the product and must be kept in a known place that is accessible to all users at all times.

3. INTENDED USE USE

The saw-splitting machine is designed exclusively to efficiently saw and split large quantities of wood. The saw-splitting machine is hydraulically driven, the hydraulic system is either driven by an electric motor or a power take-off shaft. This enables a combination of chainsaw and log splitter. The log is cut into equal pieces using the chainsaw and automatically pushed against a splitting cross, creating 4 even logs.

The machine has no lighting and is therefore not intended for use in unlit locations.

The machine may only be operated by one person.

One other or about it beyond Use is not considered as intended. The manufacturer is not liable for any resulting damage. The user bears the sole risk.

The operator is liable for all damage to third parties and their property.

Observing the operating and maintenance instructions and carrying out maintenance work as well as adhering to the maintenance intervals are part of the intended use.



Persons, the with the operating instructions not trusted Children, young people and persons under the influence of alcohol, drugs or medication are not allowed to operate the machine.

4th SCOPE OF DELIVERY

After unpacking, check the contents of the box/ transport box for completeness and possible transport damage.

Report any complaints to the dealer or manufacturer immediately. Complaints made later will not be accepted.

Contents

The firewood splitting machine is ready for use as delivered. All you have to do is remove the packaging film, assemble the conveyor belt and attach it to the firewood splitting machine.

The assembly instructions for the conveyor belt are included separately.

SCOPE OF DELIVERY / ENVIRONMENT / TECHNICAL DATA

5th ENVIRONMENT



Old motor devices are recyclable materials and therefore do not belong in household waste!

Please recycle waste and do not dispose of it as garbage. All tools, hoses and packaging must be sorted, taken to the local recycling center and disposed of in an environmentally friendly manner.

The site of operation must be protected against contamination with leaking operating fluids.

Please contact your local waste disposal authority to find out about the possibilities of environmentally friendly and proper disposal.

application conditions

This firewood processor is designed to operate at an ambient temperature between + 5°C and + 40°C and at altitudes of up to 1000 meters above sea level. The humidity should be below 50% at 40°C. Storage or transport can take place at temperatures between -25°C and 55°C.

6th TECHNICAL DATA

Model	SSA-500EHPRO/S	Model	SSA-500ZHPRO/S
engine / drive	3-phase electric motor 400V / 50Hz	drive	PTO
engine power	9.5kW, 18.4A	power requirement	approx. 20 hp
Hydraulic motor chainsaw	max. 4,500 rpm	tractor PTO speed	max. 750 rpm
Hydraulic motor conveyor belt	max. 284 rpm at 110 bar, 285 Nm	hydraulic motor	
chainsaw	hydraulic	- chainsaw	max. 4,500 rpm
Chain (STIHL)	C3621 000 0077	- conveyor belt	max. 284 rpm at 110 bar, 285 Nm
sword	55 cm	chainsaw	hydraulic
Saws max.	50 cm	Chain (STIHL)	C3621 000 0077
gap length max.	50-55 cm		0.375/1.5mm
gap diameter max.	10 - 50 cm*	sword	55 cm
working speed	5 cm/sec	Saws max.	50 cm
return speed splitting	3 cm/sec	gap length max.	50-55 cm
force	15 t	gap diameter max.	10 - 50 cm*
conveyor belt (L/W/H)	3200x250x2200 mm	working speed	5 cm/sec
conveyor speed	0.5 m/sec	return speed splitting	4 cm/sec
Weight including conveyor belt	825 (715+110kg)	force	15 t
		conveyor belt (L/W/H)	3200x250x2200 mm
		conveyor speed	0.5 m/sec
		Weight including conveyor belt	742 (632+110kg)
Packaging dimensions (L/W/H)			
firewood processor incl.		Packaging dimensions (L/W/H)	
conveyor belt	2200x1050x1250mm	firewood processor incl.	
conveyor belt	1900x450x590mm	conveyor belt	2200x1050x1250 mm
		conveyor belt	1900x450x590 mm

* max. 30cm recommended with 6-way splitting cross

SYMBOLS

7th SYMBOLS

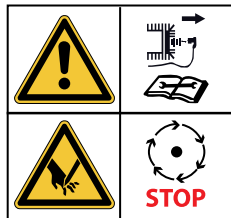
There are symbols on the machine. These represent important information about the product or instructions for use.



DANGER!
This is about your safety. This symbol indicates a danger, warning or caution.



Before commissioning, read and observe the operating instructions and safety information.



Repair, setup, maintenance and cleaning work may only be carried out when the drive is switched off and the tool is at a standstill.

! DANGER

Health and explosion hazards from combustion engines



Keep the engine away from heat, sparks and flames.



Do not smoke near the machine!



Warning of hot surfaces. Danger of burns!

Do not touch hot engine parts. These remain hot for a short time even after the machine has been switched off.



MANDATORY SIGNS

Read this instructions completely before using the machine. Failure to do so increases the risk of injury to the operator and other persons.



Always wear eye protection when operating the machine.



Always wear hearing protection when operating the machine.



Always wear protective clothing when operating the machine. Never wear loose-fitting clothing, scarves, necklaces, etc. as these can get caught in the machine.



Wear protective gloves.



Wear safety shoes with steel toes.



DANGER SIGNS

Do not use the machine in damp or wet conditions. Do not expose the machine to rain.



Protection and safety devices must not be removed or modified.



Do not allow hydraulic oil to run onto the floor. Used hydraulic oil must be disposed of in an environmentally friendly manner.



Do not use the machine in enclosed spaces.

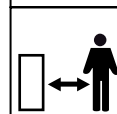


Danger of slipping and tripping!

In the work area on enough. Pay attention to free space. Clutter can lead to accidents.



warning before hurling back Split!



Out of this Reason may itself uninjured persons, children and

SYMBOLS / SAFETY



Never keep pets or livestock in the immediate vicinity of the firewood processor when it is in operation.

Maintain a minimum distance of 5 meters!



Caution, liquid under high pressure (hydraulic oil, grease or fuel) can easily splash onto clothing or skin and cause serious injuries! Make sure all parts are tight before pressurizing the machine. Always relieve pressure from the system before servicing. Never check for leaks by hand.



Caution: Danger for your hands!



Warning of cuts! Never reach into the work area during operation. Always keep hands away from moving parts.



Be careful when intervening in the gap recess.



Warning of rotating parts! Caution! Moving conveyor belt. Danger of crushing!



Danger moving tools
Chainsaw!



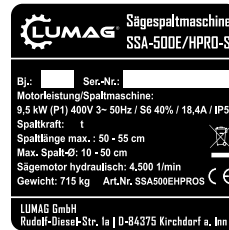
For one person operation only



Warning, do not remove jammed logs with your hands.

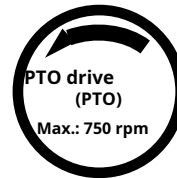


The machine can be lifted here.



nameplate

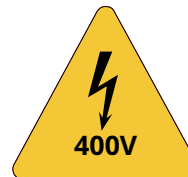
Equipped with model name, year of manufacture and serial number. Please always state this information when ordering spare parts or for service information.



PTO

Maximum PTO speed and PTO or engine rotation direction.

(Mod. SSA-500Z/HPRO/S)



Warning of dangerous voltage

Touching live parts can be fatal. Covers and protective devices on electrical parts may only be opened by qualified electricians after the operating voltage has been switched off.

(Mod. SSA-500E/HPRO/S)

SECURITY

8th SECURITY

safety and warning instructions

Familiarize yourself with the firewood processor

Read and understand the operating instructions and the labels on the machine. Familiarize yourself with the application and limitations, as well as the specific potential hazards associated with it. Also, familiarize yourself with the controls and their proper use.

drugs, alcohol and medication Do not use the firewood processor while under the influence of drugs, alcohol or medication that may impair your ability to use the device properly.

Avoid dangerous operating errors Only use your firewood processor on a dry and solid surface. Never use the device on slippery, wet, muddy or icy surfaces. Do not use the device if you are not in direct contact with the ground. Choose an area to work in that is free of tall grass, bushes or other impassable obstacles. Always keep your work area clean. Ensure that there is good lighting. Cluttered areas can lead to injuries. To avoid tripping hazards, always clear away tools, logs or other objects in the work area. Do not use the firewood processor in damp or misty areas and do not expose the device to rain. Do not use it in areas where paint or solvent fumes or flammable liquids pose a potential hazard.

Check the firewood processor Always check your firewood processor before switching it on. Make sure that the safety guards and grilles are in place and fully functional. Make it a habit to check that wedges and tools have been removed from the work area before switching the machine on. Replace any damaged, missing or defective parts before use. Make sure that all nuts, bolts, screws, hydraulic fittings, hose clamps, etc. are tightened and fully functional. Always check the

Oil level in the hydraulic oil tank. Do not use your firewood processor if repairs are required or the machine is in poor condition.

Wear appropriate protective clothing

Do not wear loose clothing, loose gloves, scarves, ties or jewelry (e.g. rings or watches). These can get caught in moving parts. To operate the machine safely, suitable personal protective equipment (PPE) such as eye protection, hearing protection and a dust-proof respirator must be worn. Wear a hair cover to protect long hair so that it cannot get caught in the machine.

Protect your eyes and face The firewood processor can throw objects that could get into your eyes. Always wear protective goggles to reduce the risk of eye damage. Normal glasses are not suitable for this as they do not have safety glass!

Avoid fire

Do not smoke and make sure there are no open flames when using the firewood processor or performing maintenance. Never use the firewood processor near an open flame or sparks. Oil is highly flammable and can explode.

Keep bystanders away

Only one person may operate and load the firewood processor at a time. Keep bystanders, including visitors, children and pets, away from the work area, especially when the firewood processor is in operation. Only the operator should be near the machine and within the safe operating area as defined in this manual. Never ask another person for help to free a jammed log. Persons under the age of 18 may only operate this machine as part of vocational training under the supervision of an instructor. Persons under the age of 16 must be kept away from the machine.

Check the split material

Never attempt to split logs that contain nails, wires or other foreign objects. Make sure that both ends of the log

SECURITY

are cut as squarely as possible. This prevents the split material from slipping out under pressure. Branches must be cut flush with the tree trunk.

Caution! Always be alert!

Make sure you have a secure footing and keep your balance at all times. Never stand on the firewood processor. If the tool tips over or the cutting tool is accidentally touched, serious injuries can occur. Do not store anything above or near the firewood processor that could cause a person to climb onto the machine to reach it.

Avoid injury from unexpected accidents Never load or unload the firewood processor while the chainsaw is running. Always keep your hands away from all moving parts. Never reach over the saw blade while the chainsaw is running. Never hold your hand or any other part of your body in the direction of travel of the logs. Always ensure that you have a secure footing so that no part of your body can get caught in the machine due to slipping or poor positioning. Never split logs that require you to reach into the splitting or sawing area. Never use your feet, knees, a rope or other extension devices. Always pay attention to the movements of the splitting wedge. Never try to load your firewood processor while the wedge is moving. Never try to split two logs on top of each other. One of them could come loose and injure you.

Protect your hands

Keep your hands away from cracks or crevices that form in the log during the splitting or sawing process. These could suddenly close and crush or sever your hands or other body parts. Never remove jammed logs with your hands.

Do not exert any force on the machine The machine works better and safer when operated according to its design. Therefore, use the firewood processor only for its intended purpose. Do not make any modifications to the equipment or use the equipment in a manner that does not correspond to its intended capabilities and capacities. Do not attempt to

To split logs whose size exceeds the size specified in the specifications table. Use the firewood processor only for the purpose of processing wood and not any other materials or objects.

Maintain the firewood processor carefully Clean the machine before and after each use. For good and safe performance, the firewood processor must be clean. For greasing, follow the instructions. Before use, check all hydraulic hoses and connectors for leaks. The controls must always be kept clean, dry and free of oil and grease.

Protect the environment

Take used oil to an approved collection point or observe the regulations of the country in which the firewood processor is used. Never dispose of used oil down the drain or allow it to enter the soil or drinking water.

Create a safe work area Lock off your work area. Keep the firewood processor out of the reach of children or other unauthorized persons who are not allowed to use the machine.

Behavior in an Emergency

If an accident occurs, initiate the necessary first aid measures and request qualified medical assistance as quickly as possible.

When requesting assistance, please provide the following information:

where it happened - what happened - how many injured - what type of injury - waiting for further enquiries

Avoid rain / water

The SSA500EHPRO/S machine with electric motor must not be operated in the rain, as this could lead to a defect in the components or the electric motor could come.

TRANSPORT / COMMISSIONING

9th TRANSPORT of SSA-500EHPRO/S

Before each transport, the following steps must be completed:

- Switch off the machine's motor and allow it to cool down to avoid burns and to eliminate the risk of fire.

For longer transport distances, the drawbar (including trailer coupling) must be completely and securely attached.

1. Connect the machine to the trailer hitch of your vehicle.
2. Then raise the support wheel and the support feet completely and fix them in this position. The feet and the support wheel must never touch the ground during transport to the workplace.
3. At the work site, park the firewood processor in the desired position. Disconnect the trailer coupling and remove the vehicle from the work site. Make sure that the support feet and the support wheel are extended and secured.
4. Adjust the feet and the support wheel according to the unevenness of the ground to ensure a safe and level stand.

For short transport distances at the workplace, proceed as follows:

1. Lower the support wheel.
2. Lift the feet and fix them in the respective position.
3. Now move the firewood processor with the support wheel.
4. Once you have reached the desired work location, lower the feet back to the ground and raise the support wheel.
5. Fix the feet and ensure that the machine is absolutely stable by blocking the wheels with a wedge.

A NOTICE

The machine is not approved for use on public roads.

10. COMMISSIONING

10.1 PREPARATION FOR USE

- Make sure that all parts on the machine are in good condition and correctly fitted. Always repair any damage immediately. Replace worn or damaged parts. Always remove any dust, grease, oil or dirt deposits. Always keep all screws firmly tightened.
- Check that all protective devices are installed and functioning properly.
- Check that the conveyor belt is correctly aligned and secured using the safety chain.
- Check the tire pressure. Both drive wheels must have the same tire pressure of approximately 2.0 bar.
- Remind yourself of the safety instructions and shutdown routines as described in the operating instructions.
- Make sure that the stand is on a solid surface and secured with the safety bolt.
- Use hearing protection and safety glasses with side shields. Wear a face mask in dusty conditions.
- Check that the work area is free of metal objects (wires, nails, etc.) etc. Objects can be thrown and injure people and damage the equipment.
- Make sure there is a minimum distance of 5 meters between other people, children, animals and the machine. Objects can be thrown and injure people or animals.
- Work carefully near roads, paths or residential areas.
- Do not place yourself or any other objects under the moving conveyor belt.

10.2 DRIVE BY ELECTRIC MOTOR (SSA-500EHPRO/S)

Check that the daily care - see ... PREPARATION FOR USE (10.1) - has been carried out.

Before dem Start des engine are all
controls in idle position to
switch.

COMMISSIONING

Connect the firewood processor to the power supply:

- Mains voltage 400V (50 Hz)
- Fuse 20A
- The supply cable must have a cross-section of at least 2.5mm².

Press the green motor switch "I" and the firewood processor starts. To stop the machine's motor, press the red motor switch "O". (see Figure 1.1)

DANGER:



To switch off the machine in an emergency, press the emergency stop button (1.3). The machine switches off.

To be able to start the machine again, you must turn the emergency stop button (1.3) clockwise. It then returns to its original position and the machine can be started again.



(1.1)



(1.3)

Make sure that the motor is rotating in the correct direction. To do this, look at the sticker on the motor which shows the direction of rotation.



If the engine does not start or the engine makes unusual noises, stop the engine immediately and check the direction of rotation of the engine!

**You can change this by turning the polarity in the plug with a screwdriver. (See Figure 1.2)
Work on the electrical equipment may only be carried out by qualified electricians!**



(1.2)

10.3 DRIVE THROUGH PTO (SSA-500ZHPRO/S)

Check that the daily care - see ... PREPARATION FOR USE (10.1) - has been carried out.

Before dem Start des engine are all controls in idle position to switch.

1. Mount the firewood processor to the three-point linkage of your tractor.

2. Attach the PTO shaft to the machine and the tractor. Make sure to keep the angle of the PTO shaft as small as possible! Finally, secure it using the two chains so that the PTO shaft guard does not rotate.

3. The direction of rotation of the tractor PTO is clockwise.

4. Set the tractor's hand throttle to minimum

5. Slowly engage the tractor PTO and let the machine start.

6. Adjust the required PTO speed using the hand throttle.

7. Do not exceed the maximum PTO speed of 750 rpm, otherwise damage to the pump, cylinder and hydraulic lines may occur.



Before you disengage the PTO shaft again, the tractor's hand throttle must be set to minimum!

10.4 SWITCHING OFF THE MACHINE

Before the machine can be switched off, all hydraulic functions must be depressurized. To do this, put all control levers in the neutral position.

Drive by electric motor (SSA-500EHPRO/S)

- Press the red switch "O" or in case of emergency use the emergency stop button (see point 10.2 / Figure 1.3)

PTO drive (SSA-500ZHPRO/S)

- Disengage the PTO shaft on the tractor.



Before you disengage the PTO shaft again, the tractor's hand throttle must be reset to minimum!

COMMISSIONING / OPERATION

11. OPERATION

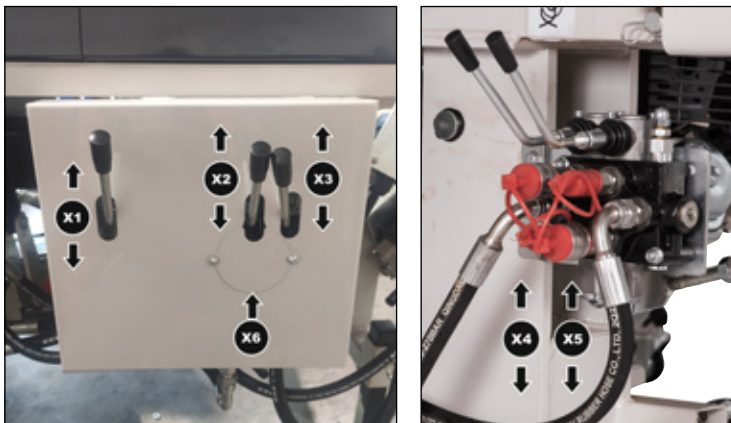
Think carefully about where you will work. Work safely and save time by planning your work in advance.

Store your logs where they are easy to reach. Create a place to stack the split wood or place it in a nearby cart or other means of transport. Position the log splitter on a solid surface.

A NOTICE

Applying a thin layer of lubricant to the surface of the cylinder before operation will extend the life of the cylinder.

11.1 OPERATING THE HYDRAULIC SYSTEM



The machine is operated using the hydraulic system shown above.

For this purpose, there are a total of 5 operating levers that can be tilted up or down, and an operating screw (under the flap).

X1: Control lever "Stammhalter"

Tilted upwards = moves upwards
Tilted down/locked = moves down (holds)

X2: Chainsaw control lever

Tilted up = moves up
Tilted down = moves down

X3: Control lever "Feed conveyor belt"

Tilted up = runs forward
Tilted down = runs backward

X4: Control lever "eg log lifter 1" Tilted up = runs forward
Tilted down = runs backward

or

X5: Operating lever "eg log lifter 2"

Tilted upwards = lift
Tilted downwards = lower

X6: Operating screw "Sword lowering speed"

Turned clockwise = slower lowering
Turned counterclockwise = faster lowering

The levers X4 and X5 are intended for the optional accessories. Here you can either use the log lifter or the log feeder must be mounted. Both levers (X4 & X5) are required for this accessory as it has 2 functions!

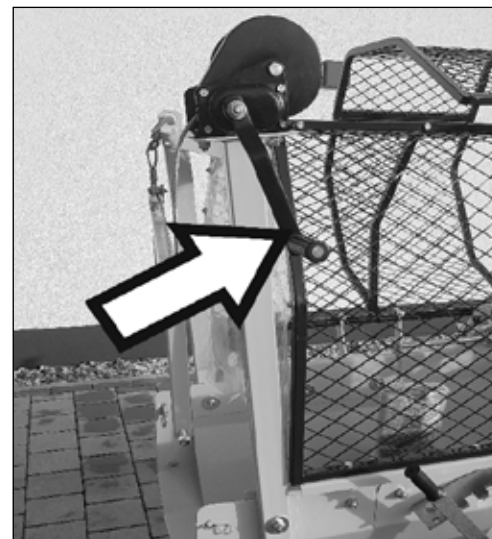
A NOTICE

Please observe the ideal Hydraulic oil temperature is between 40-70°C. To ensure smooth operation, make sure to stay within this temperature range.

CAUTION

Please note the two levers "X2" and "X3" may **never** be operated simultaneously!

11.2 ADJUSTING THE CONVEYOR BELT

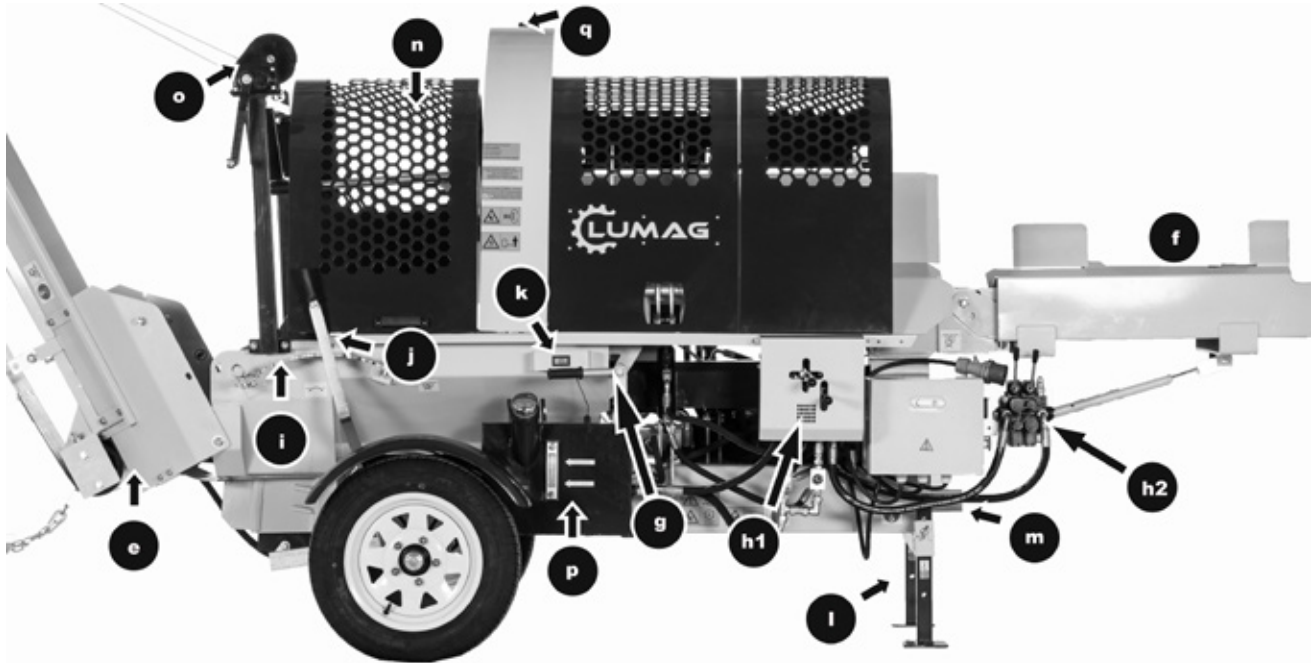


You can individually adjust the inclination of the conveyor belt using the cable winch.

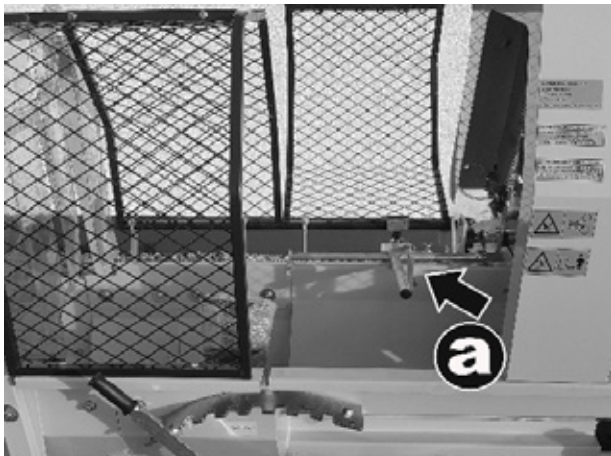
To do this, turn the cable winch clockwise to raise the conveyor belt. To lower the conveyor belt, turn the cable winch anti-clockwise. Make sure that the base is firmly on the ground before you start working.

For transport, the conveyor belt or the base of the conveyor belt must be lifted from the ground.

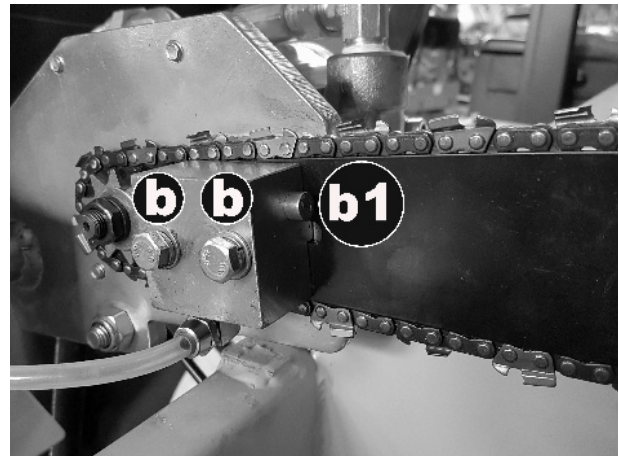
11.3 OPERATION OF THE MACHINE



- (e) Conveyor belt (not fully shown)
- (f) Hydraulic feed chain
- (g) Control lever for wood splitter
- (h1) Hydraulic system
- (h2) Hydraulic system 2 (only for optional accessories)
- (i) Splitting cross locking
- (j) Splitting cross adjustment
- (k) Hydraulic oil temperature indicator
- (l) feet
- (m) support wheel
- (n) Protective grille for chainsaw and splitter with emergency stop function
- (o) Cable winch / conveyor belt
- (p) Self-venting hydraulic oil nozzle + sight glass (capacity: 44l)
- (q) Saw chain oil container (capacity: 2.5l)



(a) Adjustable stop



(b1) Adjusting screw chain tension (b)
Fixing screw chain tension

OPERATION

1. Make sure that all components of the firewood processor are firmly screwed together and that no loose parts could cause dangerous injuries.
2. Start the engine as described in point 10.2 / 10.3.
3. Close the protective grille for the chainsaw and splitter using the EMERGENCY STOP function for the saw and splitting unit(s).
4. Secure the splitting cross in the desired position using the splitting cross adjustment (j) and - locking (i), depending on the length of the split material.
5. Before operating the firewood processor, open the saw chain oil tap (q).
6. Adjust the inclination of the conveyor belt. (see point 11.2)
7. Place the log on the conveyor belt (f) and move it towards the chainsaw using the "X3" operating lever on the control panel (see 11.1). Now adjust the cutting length using the adjustable stop (a). Now move the log using the "X3" operating lever to the set stop. Then operate the "X1" operating lever for the log holder by pressing it downwards. This engages and fixes the log so that it can be sawn safely. Before sawing, press the "X1" operating lever upwards once so that it is no longer in the engaged position. Then press and hold the "X2" operating lever down to slowly saw through the log with the chainsaw. Once the log has been sawn through, release the "X2" operating lever and the chainsaw will return to its starting position. The trunk now slides further into the splitting area of the saw-splitter and as soon as the chainsaw stops, the splitting process starts automatically.
8. The split material is now automatically pressed against the splitting cross, which splits the log into 2-4 pieces of wood, depending on the setting of the splitting wedge. After the cylinder has finished moving forward, the piston automatically returns to its starting position. This automatically activates the control valve for adjusting the cylinder and automatically sets the hydraulic system to idle. The split wood is now transported via the conveyor belt to the discharge point/trailer, etc.
9. Do not start the next sawing and splitting cycle until the last operation has been completely completed. To stop the machine, open the protective grille or switch off the motor and then pull the power plug from the socket or disengage the PTO shaft as described in 10.04. Then clean the saw-splitting machine and the work area. This allows you to work safely.

Apply a thin layer of grease to the surface of the hydraulic piston. This will significantly extend the life of the piston. Good maintenance ensures a long life for the sliding components of the hydraulic cylinder. The result is efficient operation and reduced friction.

The firewood processor is with one Automatic function. With this function, the material to be split is automatically pushed forward and split. The cylinder then returns to its starting position.

Stay away from the work area of the firewood processor once the splitting process has started. Keep your hands and other body parts away as soon as the cylinder retracts.

Accumulated wood chips in the air can create a harmful and dangerous working environment. Stop working with the firewood processor immediately in the contaminated area. You could slip or cause other health problems.



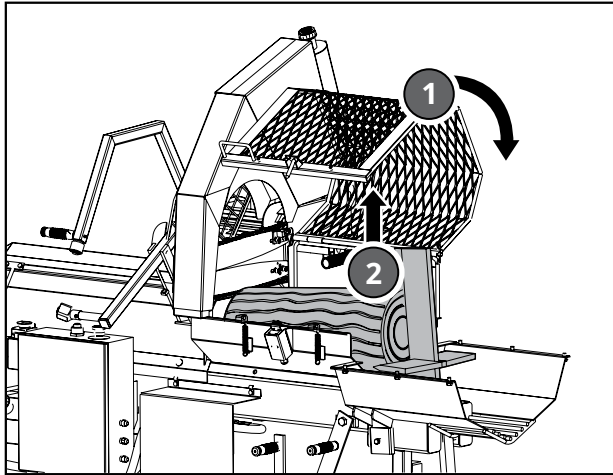
Never operate the firewood processor with a damaged chainsaw blade. If the chain becomes loose, you can readjust it using the adjustment screws (b).

7. If the split material does not fall correctly into the splitting device, switch off the engine as described in point 10.4. Now open the

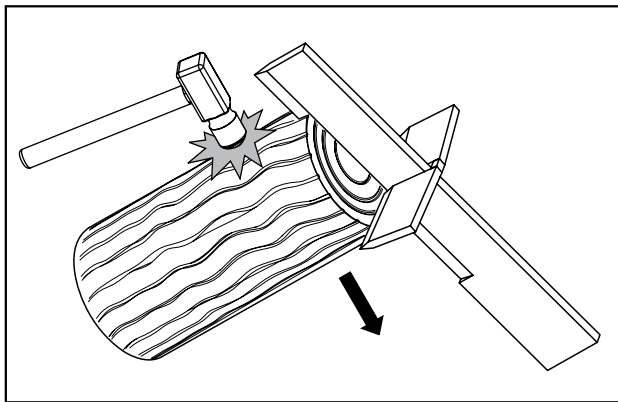
sustain damage.

12. PROCEDURE FOR A BENT PIECE OF WOOD

Switch off the engine and unplug the power cord or disconnect the drive shaft as described in 10.04.



Open the protective basket (1) on the splitting area and remove the jammed piece of wood together with the splitting cross (2).



By hitting the piece of wood with a hammer, it can be removed from the splitting cross. The splitting cross can now be reinserted into the opening provided.



At Work with the firewood processor and at the
Always wear protective gloves when removing jammed wood.

13. MAINTENANCE

13.1 MAINTENANCE

Constant maintenance of the firewood processor ensures a long service life of all components.

preventive maintenance work

Make sure that the firewood processor is in perfect condition. Check the machine for loose screws, damage or unusually protruding or positioned components. Any damage or visual defects can affect the safe operation of the machine. Remove all deposits from the firewood processor using a hand broom, vacuum cleaner or compressed air.



Use high-pressure cleaners, She never a um the The water could reach inaccessible places on the wood splitter to reach and different components permanently damage. The use a high-pressure cleaner leads to damage that significantly affects the service life of the firewood processor and severely limits the options for maintenance.

Maintenance work before each commissioning check

- Check the hydraulic oil and hydraulic oil filter for oil level and note when to replace them.
- Check the condition of the chainsaw – sharpen or replace a dull or damaged chain.

sharpening the chain

The chainsaw can be sharpened several times without removing it from the machine. Use a fine square file 8-12".

Grind only the front teeth over a length of 5-7mm.

MAINTENANCE

When filing, do not create sharp edges at the transitions between the teeth.
File each tooth very carefully.

Clean the chainsaw after filing.

Check the chain very carefully after grinding.

Maintain the saw chain to achieve optimal sawing results.

- Riving knife – make a blunt knife sharp again.

13.2 CHANGING HYDRAULIC OIL

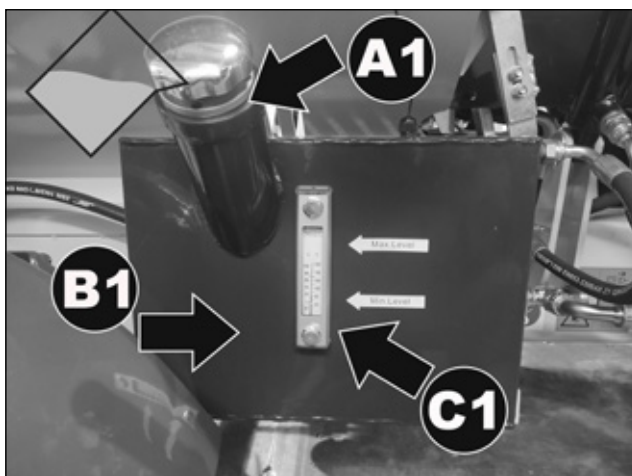
The hydraulic system is a closed system with oil tank, oil pump and control valve. A low oil level can damage the oil pump.

Regularly check the oil level in the sight glass (C1). The oil should be completely changed once a year.

Recommended hydraulic oil:

Any **Hydraulic oil of viscosity class HLP 22** This oil is available from agricultural machinery dealers, for example.

Hydraulic oil capacity: 44 liters Do not overfill!

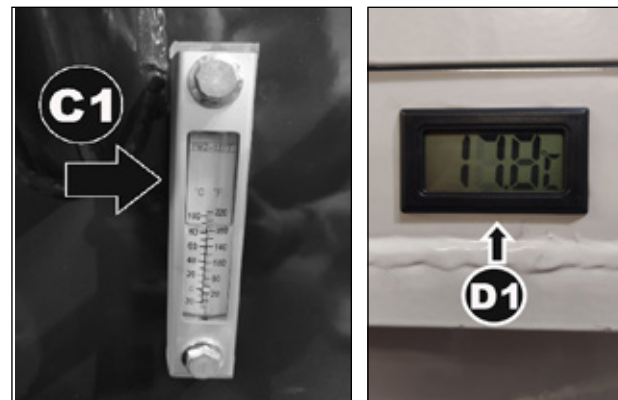


Use a suitable container of sufficient size to completely drain the oil. First remove the drain plug "B1", which is located below the filler neck "A1". Unscrew the filter cartridge on the hydraulic filter while holding the container underneath. You can drain the oil from the filter cartridge and the hydraulic system in this way. Roughly examine the drained oil for larger metal residues in order to avoid future damage and to be able to react in time.



Change the oil filter every 150 hours of operation.

The regular change des oil filter prevents that the Saw splitter is damaged and works without problems.



You can read the oil level on the sight glass (C1). Fill oil up to the upper third of the sight glass (see "Max. Level" marking). This will then reach the maximum level. A low oil level can damage the oil pump (below the "Min. Level" marking). An oil level that is too high would raise the temperature (D1) in the hydraulic system too much and thus damage the components. A temperature of up to 70° Celsius is still OK. Temperatures above this cause the oil to age disproportionately quickly!

When installing the oil filter cartridge, make sure that the seals are correctly positioned and that the filter is screwed back in tightly.

After one oil change let the firewood processor run several times without any material to be split.

MAINTENANCE / STORAGE

13.3 SHARPENING THE SPLITTING CROSS

The splitting machine is equipped with a reinforced splitting wedge that has been specially treated. After a long period of use or if necessary earlier, you can sharpen the splitting wedge using a fine file. This file should also be used to remove sharp corners and edges.

13.4 FASTENING SCREWS

Check all screw connections regularly for tightness and tighten if necessary. The first check of the screw connections is **after the first 3 hours of operation** to make.

13.5 TIRES

Check the wheels, the tire pressure the drive wheels and the tire condition at regular intervals.

- Check that the screw connection on the wheel axles is correctly seated.
- look for cuts and foreign objects in the tire tread
- Check tire pressure - approx. 2.0 bar.

13.9 TENSIONING THE SAW CHAIN

To tension the chain of the chainsaw of the firewood processor, please proceed as follows:

- Switch off the engine and unplug the power cord from the socket or disengage the PTO shaft as described in 10.04.
- Open the protective grille for the chainsaw and splitter with emergency stop function(s).
- Loosen the two hexagon screws (b).
- Now turn the hexagon socket screw (b1) to the left to loosen the chain and to the right to tighten the chain.
- Then re-tighten the two hexagon screws (b).

13.10 CLEANING



Maintenance and cleaning work should only be carried out when the drive is switched off and at a standstill.

Clean the machine regularly to ensure optimal functioning.

dirt accumulations (sawdust, Dust, Any dirt (e.g. green leaves, etc.) stuck to the machine must be removed. Use a soft brush to remove this dirt.

Use a dry cloth to remove dirt from the chassis. When cleaning, never direct water at the bearings or the motor.

After cleaning, lubricate or oil all lubrication points and let the machine run briefly so that any water that has penetrated is pressed out again.

14. STORAGE

Store the machine in a horizontal position on level ground in a dry and well-ventilated building.

The machine should always be cleaned.

Do not store the firewood processor outdoors, as this could damage electrical connections in particular.

Use clean cloths to clean the surface of the machine. Clean the vent screws regularly.

TROUBLESHOOTING

15. TROUBLESHOOTING

**Observe safety instructions!**

Any faults in the machine or engine that require major intervention should always be repaired by your LUMAG specialist workshop or an authorized specialist workshop. Improper intervention will void the warranty.

Disturbance	Caused	remedy
engine does not start	No power to the device	Check the fuse
	power supply is interrupted	Check the power cord and power plug
	Switch or capacitor defective	Contact an electrician
Wrong direction of rotation of the motor	False polarization	Change the polarity of the electric motor using a wrench
		Have an electrician check the polarity
Firewood processor does not work even though the engine is running	Valve is not opened or missing connectors	Check and tighten the connectors
	control lever or Connecting parts are bent	Repair or replace damaged components
	Too low oil level	Check oil level and top up if necessary
Hydraulic cylinder operates with unusual noises or vibrations	Too low oil level	Check oil level and top up if necessary
Chainsaw works with unusual vibrations or quickly loses power	Chain tension is quickly lost	Clockwise on the Turn the adjusting screw to tighten the chain
	Insufficient supply of chain oil	Check oil level and top up if necessary
Insufficient pressure build-up on the hydraulic cylinder	hydraulic cylinder leaks oil	Replace seal or hydraulic cylinder
	Great resistance at oil suction	Check or replace oil filter
Chainsaw won't start	Damage to one or both control levers for the chainsaw	Replace lever or button
Oil circuit through hydraulic pump does not work	Blocked hydraulic cylinder with high pressure build-up	Check the gap for foreign objects, the support surface and the ejection plate, replace damaged parts

**16. WARRANTY / GUARANTEE /
CUSTOMER SERVICE****WARRANTY**

On the device ^{becomes} the legal Warranty period is given. Any defects that can be proven to be due to material or assembly errors must be reported to the seller immediately. Proof of purchase of the device must be provided by presenting the invoice and receipt when making a warranty claim.

The warranty is excluded with regard to parts if defects have arisen due to natural wear and tear, temperature or weather influences or due to defects resulting from negligent assembly, faulty connection, incorrect fuel/fuel mixture, installation, operation, maintenance, lubrication or force.

Furthermore, damage caused by inappropriate or improper use of the machine, such as improper modifications or ^{repair work} of the owner or third parties, but also in the event of intentional overloading of the machine.

Wear parts with a limited service life (e.g. V-belts, clutch, throttle cable, spark plug, air filter, battery, blades, hoses, wheels, tools and other aids) as well as all setting and adjustment work are excluded from the warranty.

GUARANTEE

LUMAG GmbH guarantees flawless quality and, without prejudice to the statutory warranty, provides a guarantee in the event of material or manufacturing defects. The guarantee for LUMAG products is 24 months for exclusively private use, and 12 months from the date of delivery for commercial or professional use or rental. Warranty claims must always be proven by the buyer using the original purchase receipt. A copy of this must be enclosed with the warranty application. The buyer's address and machine type must be clearly identifiable for professional or commercial use. Without the original purchase receipt, we can only carry out the repair for a fee.

Please do not send any devices back to us without a SERVICE NUMBER that you have received from our service department. If we receive devices unsolicited, we cannot accept and process them. To request a SERVICE NUMBER, please contact our service team at:

info@lumag-maschinen.de

Please clearly label the shipping box with the SERVICE NUMBER to ensure quick identification.

Warranty work is carried out exclusively by our LUMAG service workshop. Defects that occur within the warranty period due to material or manufacturing defects must be remedied by repair if they have occurred despite proper use and care of the device. We reserve the right to make two repairs if the same defect occurs. If repair fails or is impossible, the device can be exchanged for an equivalent device. If the exchange is also unsuccessful or impossible, there is the option of a replacement.

Normal ^{Wear and tear,} ^{natural} ^{aging,} ^{improper} ^{use} ^{as well as} ^{cleaning,} Maintenance and adjustment work is generally not covered by the guarantee (e.g. cutting device, air and fuel filters, spark plug and recoil starter, drive belt, etc.). Due to operation and use, some components are subject to normal wear and tear, even when used as intended, and may need to be replaced in good time.

CUSTOMER SERVICE

If you have any technical questions, information about our products or would like to order spare parts, our service team is available as follows:

Service hours: Monday to Thursday from
7:30 a.m. - 12 noon and 1 p.m. - 5 p.m.
Friday from 7:30 a.m. - 12:30 p.m.
Phone: + 49 / 8571/92556-0
Fax: + 49 / 8571/92556-19
E-mail: info@lumag-maschinen.de

EC DECLARATION OF CONFORMITY

17. EC DECLARATION OF CONFORMITY

In accordance with the provisions of the EC directives

Machinery Directive 2006/42/EC
EMC Directive 2014/30/EU

explains the company

LUMAG GmbH
Rudolf-Diesel-Str. 1a
D-84375 Kirchdorf/Inn
Telephone: +49 / 8571/92556-0
Fax: +49 / 8571/92556-19

that the product

Description: Firewood processor
Type designation: SSA-500EHPRO/S — SSA-500ZHPRO/S

meets the essential protection requirements of the above-mentioned EC directives.
Conformity is based on the following standards:

EN ISO 12100:2010
Safety of machinery - General principles for design - Risk assessment and risk reduction

EN 609-1:2017
Agricultural and forestry machinery - Safety of wood splitting machines - Part 1: Wedge splitting machines

EN 60204-1:2018
Safety of machinery - Electrical equipment of machines - Part 1: General requirements

EN 61000-6-1:2019
Electromagnetic compatibility (EMC) - Part 6-1: Generic standards - Immunity for residential, commercial and light-industrial environments

EN 61000-6-3:2021
Electromagnetic compatibility (EMC) generic standards. Emission of interference for residential areas, business and commercial areas as well as small businesses

Person authorized to compile the technical documentation: Christopher Weißenhorner

The declaration of conformity refers only to the machinery in the condition in which it was placed on the market; it does not take into account any parts and/or interventions subsequently fitted by the end user.

Kirchdorf, September 7, 2022 Christopher Weißenhorner, Managing Director

distributor, authorized representative

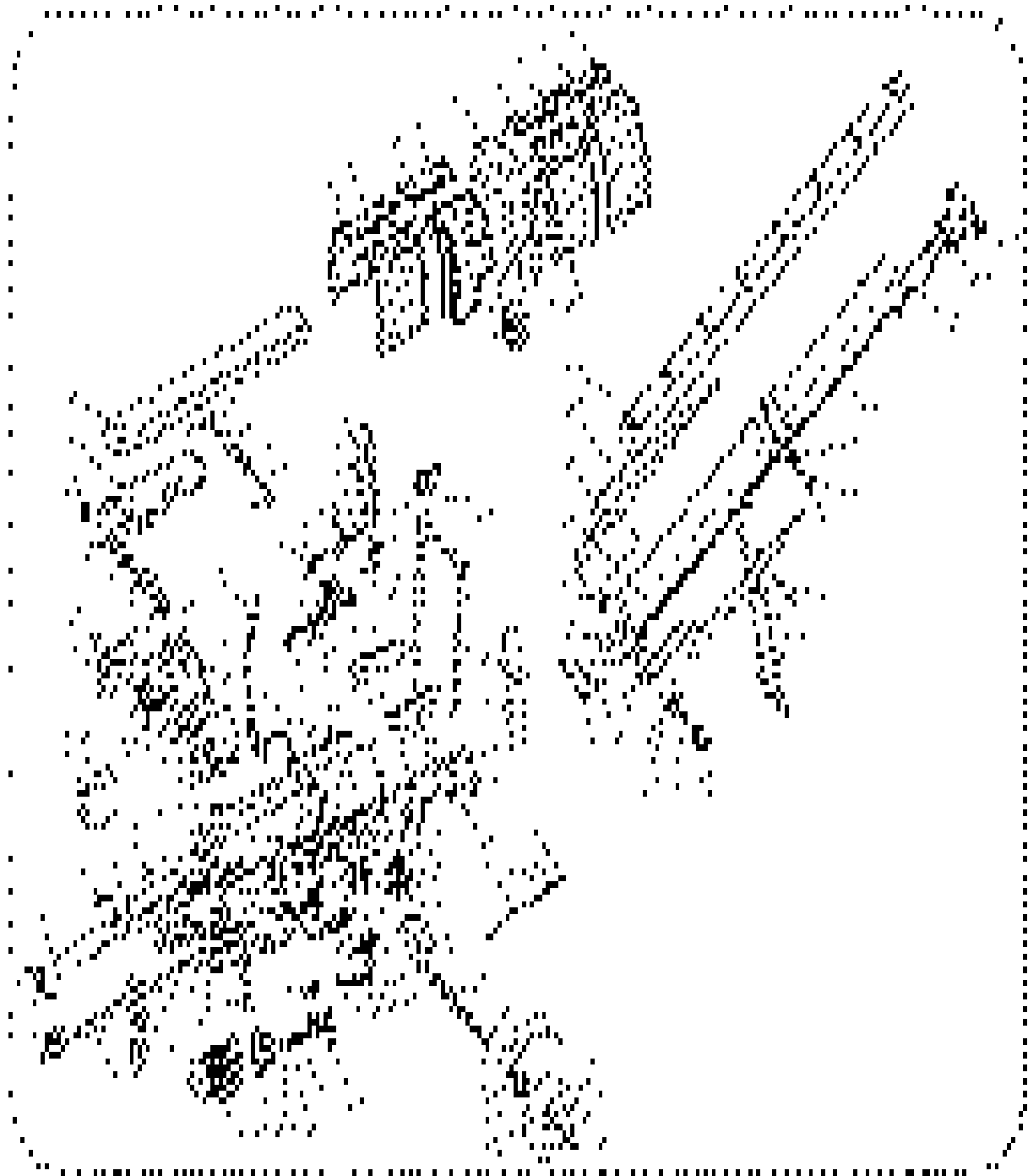
Place, date

Signature



COMPONENTS OF THE MACHINE

18. COMPONENTS OF THE MACHINE / SSA-500EHPRO



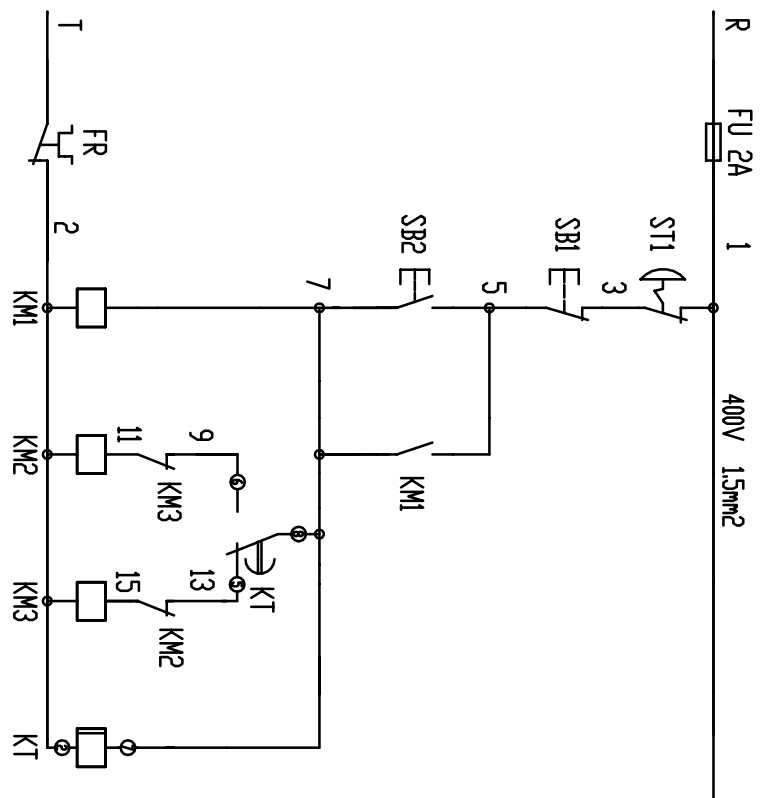
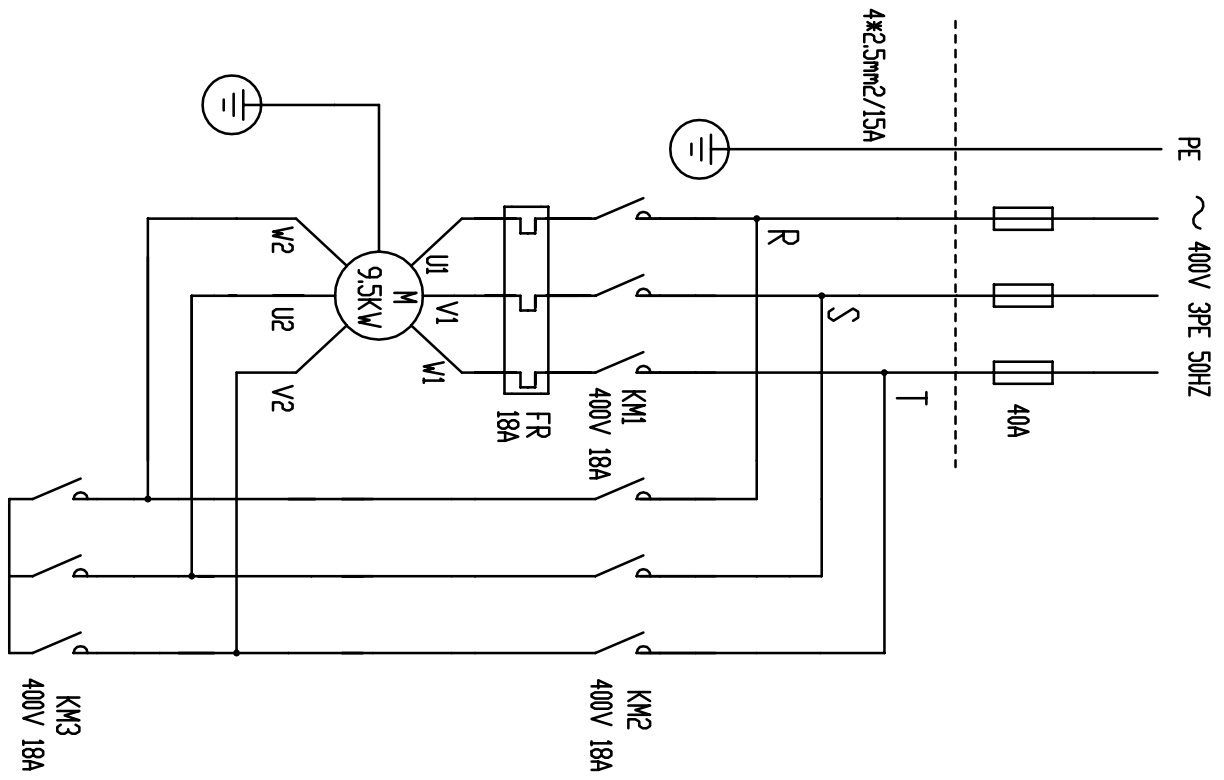
COMPONENTS OF THE MACHINE

19. COMPONENTS OF THE MACHINE / SSA-500ZHPRO



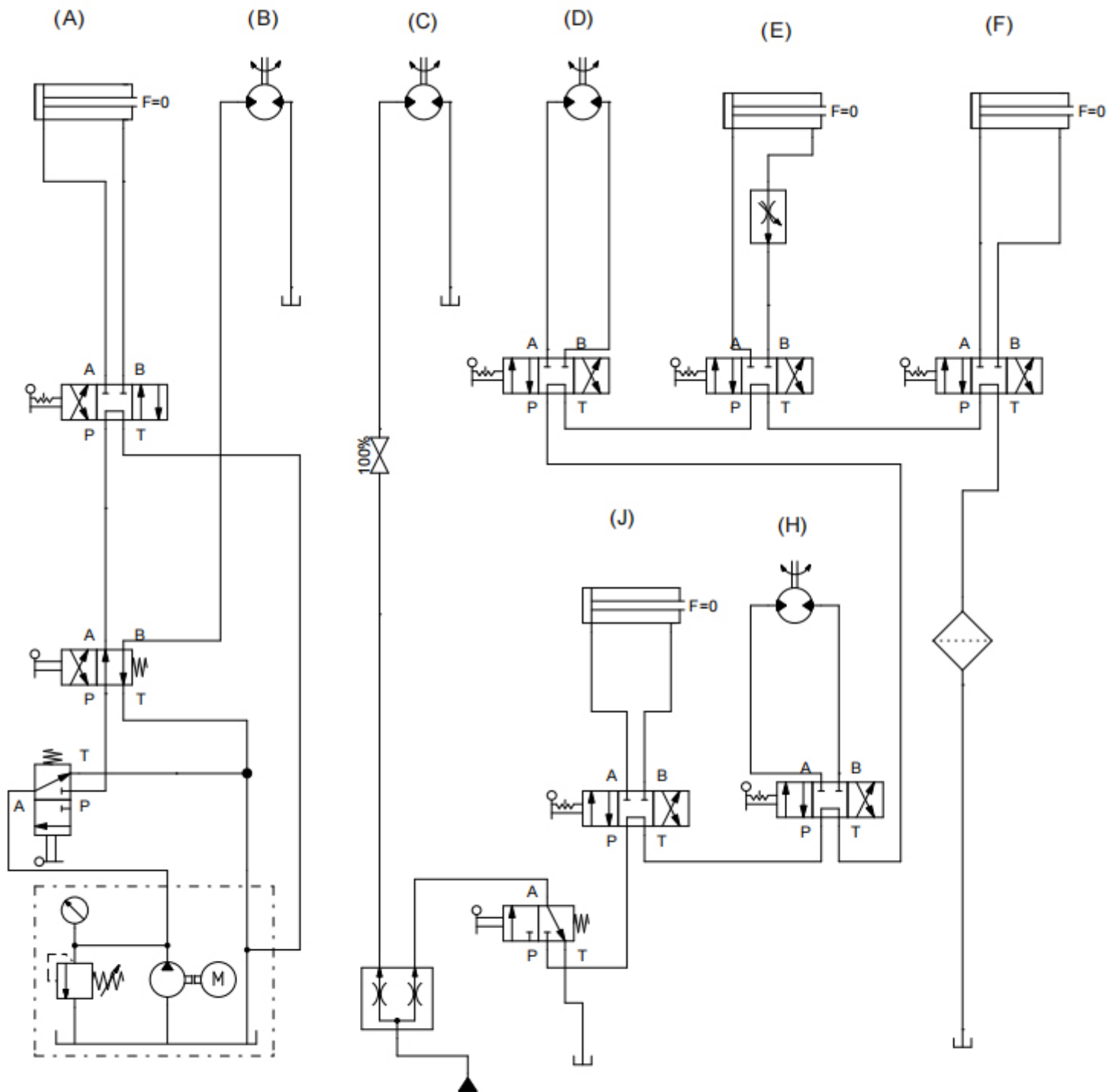
ELECTRICAL DIAGRAM

20. ELECTRICAL DIAGRAM



NOTE

21. HYDRAULIC DIAGRAM



A: splitting hydr. cylinder	B: chainsaw motor	C: conveyor outfeed motor	D: conveyor infeed motor	E: cutting hydraulic cylinder	F: tighten hydraulic cylinder
J: log feeder motor	H: lifting motor of log feeder				



LUMAG GmbH

Rudolf-Diesel-Str. 1a
D-84375 Kirchdorf am Inn

Telephone: +49 (0)85 71 / 92 556 - 0

Fax: +49 (0)85 71 / 92 556 - 19

www.lumag-maschinen.de

Status: 01/2024 - SSA500EHPRO/S _ SSA500ZHPRO/S_V3