



SSA-500GHPRO/S



DANGER!
Before first use,
all filling levels of the operating fluids
be checked!

Art. No.: SSA500GHPROS

www.lumag-maschinen.de

D

original operating instructions

Hydraulic firewood processor SSA-500GHPRO/S

Model: SSA-500GHPRO/S

Serial number: _____

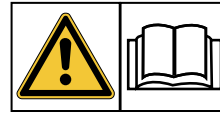
Both the model number and serial number can be found on the rating plate on the machine. You should keep both numbers in a safe place for future reference.

**FOR YOUR SAFETY, READ THE ENTIRE INSTRUCTIONS BEFORE OPERATING
OPERATING INSTRUCTIONS**

TABLE OF CONTENTS

1. General 2
2. Information on the operating instructions 3
3. Intended use 3
4. Scope of delivery 4
5. Environment 4
6. Technical data 4
7. Symbols 5
8. Security 7
9. Transport 9
10. Part name engine 9
11. Refueling 10
 11.1. Engine oil 10
 11.2. Gasoline 11
 11.3. Storing gasoline 11
 11.4. Refueling the machine 11
12. Commissioning 12
 12.1. Preparation for deployment 12
 12.2. Starting the engine 12
 12.3. Turn off the engine 13
13th operation 14
 13.1. Operating the hydraulic system 14
 13.2. Adjusting the conveyor belt 14
 13.3. Operation of the machine 15
14. Procedure for a jammed piece of wood 17
15. Maintenance 17
 15.1. Maintenance 17
 15.2. Change / check hydraulic oil 18
 15.3. Sharpening the splitting cross 19
 15.4. Fastening screws 19
 15.5. Tires 19
 15.6. Clean/change air filter 19
 15.7. Check/replace spark plugs 20
 15.8. Draining of operating materials 20
 15.9. Tensioning the saw chain 20
 October 15th cleaning 21
16. Storage 21
17. Troubleshooting 22
18. Warranty/Guarantee/Customer Service 23
19. EC Declaration of Conformity 24
20. Components of the machine 25
20. Hydraulic diagram 26
20. Notes 27

1st GENERAL



DANGER!
Read all safety warnings and instructions.

Use this manual to familiarize yourself with the machine, its correct use and the safety instructions. Keep this manual in a safe place so that you can refer to this information at any time.

If you hand the machine over to other people, please also hand over the complete manual.

limitation of liability

We have endeavoured to provide as comprehensive information as possible on accident prevention during operation, but cannot be held responsible for any lack of completeness of the danger points listed and - sources should be held accountable.

The manufacturer assumes no liability for damages resulting from:

- Failure to follow the operating instructions
- Improper use of the machine
- Improper assembly, commissioning, operation and maintenance of the machine
- Operating the machine with defective safety devices or not properly attached or non-functional safety protection devices and
- Failure to observe the instructions in the operating manual regarding transport, storage, function, operation, maintenance and care of the machine
- Unauthorized structural changes to the machine
- Unauthorized modification of the machine
- Inadequate monitoring of machine parts subject to wear
- Improperly performed repairs
- Disasters caused by foreign bodies and force majeure

GENERAL / INFO / INTENDED USE

name machine

The term "machine" is the commercial name of the item to which this operating manual - see cover page - refers.

copyright protection

All documents are protected by copyright. Distribution and reproduction of documents, including extracts, as well as communication of the content are not permitted unless expressly agreed.

reservations

Information on technical data, dimensions and illustrations of the machine as well as changes to safety standards are subject to further development and are therefore not binding for delivery in every case.

Subject to printing and typesetting errors.



DANGER!

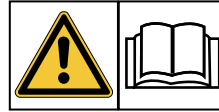
The machine is delivered without engine oil.

Before first use, MOTOR OIL be filled up!

2nd INFORMATION ABOUT OPERATING INSTRUCTIONS

This operating manual provides important information on how to use the machine properly. The prerequisite for safe working is correct compliance with all safety instructions and handling instructions.

In addition, the local accident prevention regulations and general safety regulations applicable to the area in which the machine is used must be observed.



The operating instructions is before beginning the Please read the instructions carefully before using the device for the first time! They are part of the product and must be kept in a known place that is accessible to all users at all times.

3. INTENDED USE USE

The saw-splitting machine is designed exclusively to efficiently saw and split large quantities of wood. This is made possible by a combination of a chainsaw and a log splitter. The log is cut into equal pieces using the chainsaw and automatically pushed against a splitting cross, creating 4 even logs.

The machine has no lighting and is therefore not intended for use in unlit locations.

The machine may only be operated by one person.

One other or about it beyond Use is not considered as intended. The manufacturer is not liable for any resulting damage. The user bears the sole risk.

The operator is liable for all damage to third parties and their property.

Observing the operating and maintenance instructions and carrying out maintenance work as well as adhering to the maintenance intervals are part of the intended use.



Persons, the with the operating instructions not trusted Children, young people and persons under the influence of alcohol, drugs or medication are not allowed to operate the machine.

SCOPE OF DELIVERY / ENVIRONMENT / TECHNICAL DATA

4th SCOPE OF DELIVERY

After unpacking, check the contents of the box/ transport box for completeness and possible transport damage.

Report any complaints to the dealer or manufacturer immediately. Complaints made later will not be accepted.

Contents

The firewood splitting machine is ready for use as delivered. All you have to do is remove the packaging film, assemble the conveyor belt and attach it to the firewood splitting machine.

The assembly instructions for the conveyor belt are included separately.

5th ENVIRONMENT



Old motor devices are recyclable materials and therefore do not belong in household waste!

Please recycle waste and do not dispose of it as garbage. All tools, hoses and packaging must be sorted, taken to the local recycling center and disposed of in an environmentally friendly manner.

The site of operation must be protected against contamination with leaking operating fluids.

Please contact your local waste disposal authority to find out about the possibilities of environmentally friendly and proper disposal.

6th TECHNICAL DATA

Model	SSA-500GHPRO/S
Engine / Drive (petrol)	9.2 kW / 420 cm ³
Hydraulic motor Chainsaw	max. 4,500 1/min
Hydraulic motor Conveyor belt	max. 284 rpm
chainsaw	at 110 bar, 285 Nm
Chain(STIHL)	Hydraulic
	C3621 000 0077
	0.375/1.5mm
sword	55 cm
Saws max.	50cm
gap length max.	50-55 cm
split material diameter max.	10 - 50 cm*
working speed	5 cm / sec.
return speed splitting	3 cm / sec.
force	15 t
conveyor belt (LxWxH)	3200x250x2200 mm
conveyor speed	0.5 m/sec
Weight including conveyor belt	786kg (676+110kg)
Packaging dimensions:	
Firewood processor incl.	
feed belt	2200x1050x1250 mm
conveyor belt	1900x450x590 mm

** max. 30cm recommended with 6-way splitting cross*

application conditions

This firewood processor is designed for operation at an ambient temperature between + 5°C and + 40°C and at altitudes of up to 1000 meters above sea level. The humidity should be below 50% at 40°C. Storage or transport can take place at temperatures between - 25°C and 55°C.

SYMBOLS

7th SYMBOLS

There are symbols on the machine. These represent important information about the product or instructions for use.



DANGER!
This is about your safety. This symbol indicates a danger, warning or caution.



Before commissioning, read and observe the operating instructions and safety information.



Repair, setup, maintenance and cleaning work may only be carried out when the drive is switched off and the tool is at a standstill.

⚠ DANGER

Health and explosion hazards from combustion engines



The engine's exhaust contains poisonous carbon monoxide. The stay in one carbon monoxide-containing environment can lead to unconsciousness and death.



Do not run the engine in an enclosed space.



Keep the engine away from heat, sparks and flames.



Do not smoke near the machine!



Petrol is extremely flammable and explosive. Before refueling, turn off the engine and let it cool down.



Operating fluids: Use unleaded fuel RON91 or higher.



Check engine oil!
Check the oil level before each use and after at least 8 operating hours (BTS).



Warning of hot surfaces. Danger of burns!
Do not touch hot engine parts. These remain hot for a short time even after the machine has been switched off.



MANDATORY SIGNS
Read this instructions completely before using the machine. Failure to do so increases the risk of injury to the operator and other persons.



Always wear eye protection when operating the machine.



Always wear hearing protection when operating the machine.



Always wear protective clothing when operating the machine. Never wear loose-fitting clothing, scarves, necklaces, etc. as these can get caught in the machine.



Wear protective gloves.



Wear safety shoes with steel toes.



DANGER SIGNS
Do not use the machine in damp or wet conditions. Do not expose the machine to rain.



Protection and safety devices must not be removed or modified.



Do not allow hydraulic oil to run onto the floor. Used hydraulic oil must be disposed of in an environmentally friendly manner.

SYMBOLS



Do not use the machine in enclosed spaces.



Danger of slipping and tripping! In the work area on enough Pay attention to free space. Clutter can lead to accidents.



warning before hurling back Split!



Out of this Reason may itself Uninvolved persons, children, pets and livestock should never be in the immediate vicinity of the firewood processor when it is in operation.



Maintain a minimum distance of 5 meters!



Caution, liquid under high pressure (hydraulic oil, grease or fuel) can easily splash onto clothing or skin and cause serious injuries! Make sure all parts are tight before pressurizing the machine. Always relieve pressure from the system before servicing. Never check for leaks by hand.



Caution: Danger for your hands!



Warning of cuts! Never reach into the work area during operation. Always keep hands away from moving parts.



Be careful when intervening in the gap recess.



Warning of rotating parts! Caution! Moving conveyor belt. Danger of crushing!



Danger moving tools - Chainsaw!



For one person operation only



Warning, do not remove jammed logs with your hands.



The machine can be lifted here.



nameplate

Equipped with model name, year of manufacture and serial number. Please always state this information when ordering spare parts or for service information.

SECURITY

8th SECURITY

safety and warning instructions

Familiarize yourself with the firewood processor

Read and understand the operating instructions and the labels on the machine. Familiarize yourself with the application and limitations, as well as the specific potential hazards associated with it. Also, familiarize yourself with the controls and their proper use.

drugs, alcohol and medication Do not use the firewood processor while under the influence of drugs, alcohol or medication that may impair your ability to use the device properly.

Avoid dangerous operating errors Only use your firewood processor on a dry and solid surface. Never use the device on slippery, wet, muddy or icy surfaces. Do not use the device if you are not in direct contact with the ground. Choose an area to work in that is free of tall grass, bushes or other impassable obstacles. Always keep your work area clean. Ensure that there is good lighting. Cluttered areas can lead to injuries. To avoid tripping hazards, always clear away tools, logs or other objects in the work area. Do not use the firewood processor in damp or misty areas and do not expose the device to rain. Do not use it in areas where paint or solvent fumes or flammable liquids pose a potential hazard.

Check the firewood processor Always check your firewood processor before switching it on. Make sure that the safety guards and grilles are in place and fully functional. Make it a habit to check that wedges and tools have been removed from the work area before switching the machine on. Replace any damaged, missing or defective parts before use. Make sure that all nuts, bolts, screws, hydraulic fittings, hose clamps, etc. are tightened and fully functional. Always check the

Oil level in the hydraulic oil tank. Do not use your firewood processor if repairs are required or the machine is in poor condition.

Wear appropriate protective clothing

Do not wear loose clothing, loose gloves, scarves, ties or jewelry (e.g. rings or watches). These can get caught in moving parts. To operate the machine safely, suitable personal protective equipment (PPE) such as eye protection, hearing protection and a dust-proof respirator must be worn. Wear a hair cover to protect long hair so that it cannot get caught in the machine.

Protect your eyes and face The firewood processor can throw objects that could get into your eyes. Always wear protective goggles to reduce the risk of eye damage. Normal glasses are not suitable for this as they do not have safety glass!

Avoid fire

Do not smoke and make sure there are no open flames when using the firewood processor or performing maintenance. Never use the firewood processor near an open flame or sparks. Oil is highly flammable and can explode.

Keep bystanders away

Only one person may operate and load the firewood processor at a time. Keep bystanders, including visitors, children and pets, away from the work area, especially when the firewood processor is in operation. Only the operator should be near the machine and within the safe operating area as defined in this manual. Never ask another person for help to free a jammed log. Persons under the age of 18 may only operate this machine as part of vocational training under the supervision of an instructor. Persons under the age of 16 must be kept away from the machine.

Check the split material

Never attempt to split logs that contain nails, wires or other foreign objects. Make sure that both ends of the log

SECURITY

are cut as squarely as possible. This prevents the split material from slipping out under pressure. Branches must be cut flush with the tree trunk.

Caution! Always be alert!

Make sure you have a secure footing and keep your balance at all times. Never stand on the firewood processor. If the tool tips over or the cutting tool is accidentally touched, serious injuries can occur. Do not store anything above or near the firewood processor that could cause a person to climb onto the machine to reach it.

Avoid injury from unexpected accidents Never load or unload the firewood processor while the chainsaw is running. Always keep your hands away from all moving parts. Never reach over the saw blade while the chainsaw is running. Never hold your hand or any other part of your body in the direction of travel of the logs. Always ensure that you have a secure footing so that no part of your body can get caught in the machine due to slipping or poor positioning. Never split logs that require you to reach into the splitting or sawing area. Never use your feet, knees, a rope or other extension devices. Always pay attention to the movements of the splitting wedge. Never try to load your firewood processor while the wedge is moving. Never try to split two logs on top of each other. One of them could come loose and injure you.

Protect your hands

Keep your hands away from cracks or crevices that form in the log during the splitting or sawing process. These could suddenly close and crush or sever your hands or other body parts. Never remove jammed logs with your hands.

Do not exert any force on the machine The machine works better and safer when operated according to its design. Therefore, use the firewood processor only for its intended purpose. Do not make any modifications to the equipment or use the equipment in a manner that does not correspond to its intended capabilities and capacities. Do not attempt to

To split logs whose size exceeds the size specified in the specifications table. Use the firewood processor only for the purpose of processing wood and not any other materials or objects.

Maintain the firewood processor carefully Clean the machine before and after each use. For good and safe performance, the firewood processor must be clean. For greasing, follow the instructions. Before use, check all hydraulic hoses and connectors for leaks. The controls must always be kept clean, dry and free of oil and grease.

Protect the environment

Take used oil to an approved collection point or observe the regulations of the country in which the firewood processor is used. Never dispose of used oil down the drain or allow it to enter the soil or drinking water.

Create a safe work area Lock off your work area. Keep the firewood processor out of the reach of children or other unauthorized persons who are not allowed to use the machine.

Behavior in an Emergency

If an accident occurs, initiate the necessary first aid measures and request qualified medical assistance as quickly as possible.

When requesting assistance, please provide the following information:

where it happened - what happened - how many injured - what type of injury - waiting for further enquiries

TRANSPORT / PART NAME-ENGINE

9th TRANSPORT

Before each transport, the following steps must be completed:

- Switch off the machine's motor and allow it to cool down to avoid burns and to eliminate the risk of fire.
- Disconnect the spark plug connector.
- Close the fuel tap.

For longer transport distances, the drawbar (including trailer coupling) must be completely and securely attached.

1. Connect the machine to the trailer hitch of your vehicle.
2. Then raise the support wheel and the support feet completely and fix them in this position. The feet and the support wheel must never touch the ground during transport to the workplace.
3. At the work site, park the firewood processor in the desired position. Disconnect the trailer coupling and remove the vehicle from the work site. Make sure that the support feet and the support wheel are extended and secured.
4. Adjust the feet and the support wheel according to the unevenness of the ground to ensure a safe and level stand.

For short transport distances at the workplace, proceed as follows:

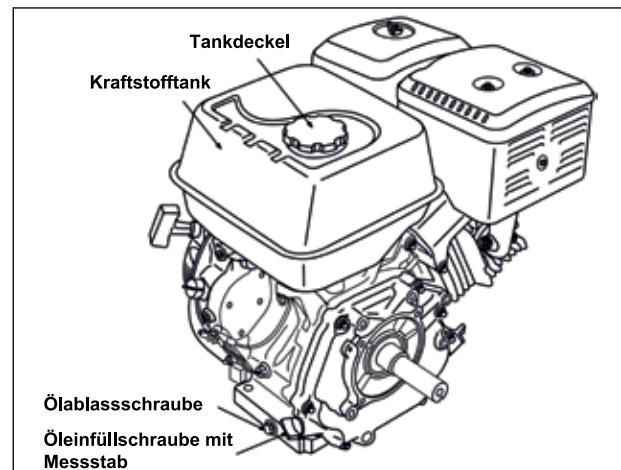
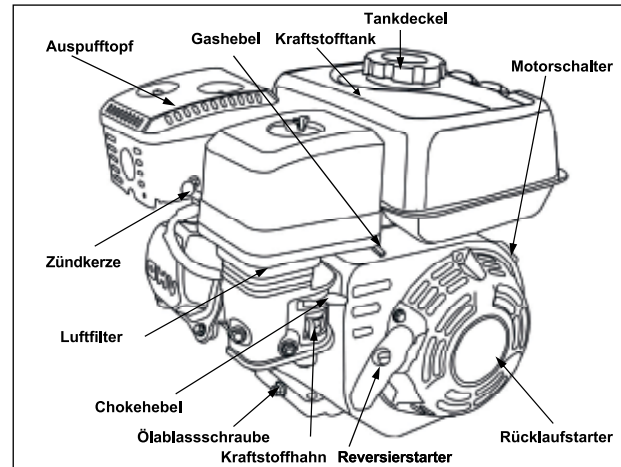
1. Lower the support wheel.
2. Lift the feet and fix them in the respective position.
3. Now move the firewood processor with the support wheel.
4. Once you have reached the desired work location, lower the feet back to the ground and raise the support wheel.
5. Fix the feet and ensure that the machine is absolutely stable by blocking the wheels with a wedge.

A NOTICE

The machine is not approved for use on public roads.

10. PART NAME-ENGINE

gasoline engine



engine switch

If a quick shutdown is required in an emergency situation, release the clutch lever on the handlebar and turn the engine switch to OFF. The engine is switched off (ignition short-circuited).

To start the engine, the engine switch must first be turned to the ON position.

recoil starter

The starter is a magneto ignition with spring return executed. A false handling of the recoil starter can damage the starter. Never wrap the recoil starter cable around your hand.

choke lever

The choke lever opens and closes the carburetor choke valve. The choke lever is only used to start a cold engine.

fuel tap

The fuel tap opens and closes the connection between the tank and the carburetor.

air filter

The air filter consists of a foam pre-filter and a paper filter insert. It is located under the cover. A dirty air filter is noticeable by the engine running poorly and black smoke.

muffler

The engine exhaust becomes warm when the engine is running. Avoid touching the muffler when it is hot. **Caution: risk of burns!**

throttle

The lever on the engine should not normally be used. This is linked to the machine via the throttle lever on the handlebar. If the rope is difficult to move or breaks, the throttle can be reduced in an emergency using the lever on the engine so that the engine is idling and the turbine wheel and chopping blade stop.

spark plug

The engine's spark plug is located under the spark plug connector. When performing adjustments or maintenance, always remove the spark plug connector from the spark plug.

oil filler plug with dipstick

The engine oil is filled into the dipstick holder. The dipstick must NOT be screwed down to check the oil level.

oil drain plug

The oil drain plug is located on the rear of the engine.

fuel tank

There is a fuel tap under the tank. The tank has a capacity of 6.5 liters.

11. REFUELLING

DANGER!

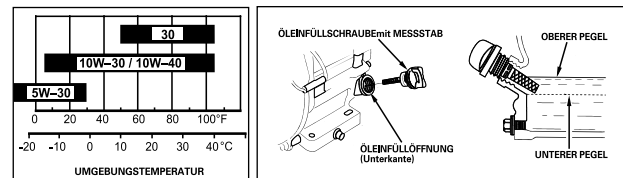
You may only carry out the work described in this chapter after you have **safety instructions** read and understood. It concerns your personal safety!

11.1 ENGINE OIL

A NOTICE

The engine oil must be topped up before the first use! Incorrect oil filling can lead to irreparable damage to the engine. In this case, the seller and manufacturer will not provide any warranty.

1. Use commercially available engine oil with the specification 10W-30 or 10W-40.
2. Unscrew the oil filler screw on the engine.
3. Fill engine oil up to the first thread of the filler opening.
4. Tighten the oil filler plug.
5. Wipe away any oil residue/dirt.



engine oil

oil filler plug

Engine oil capacity: 1.1 liters Do not overfill!

A NOTICE

Using SAE 30 oil below 10°C will result in harder starting and possible damage to the engine bore due to insufficient lubrication.

To check the oil level, the machine must be on a level surface and switched off.

1. Remove the oil filler plug.
2. Wipe oil off the dipstick.
3. Insert the filler plug back into the opening, but do not screw it tight.
4. Remove the filler screw again.
5. Check the oil level on the dipstick. The oil level must be between MIN and MAX (L and H).
6. If the oil level is too low (MIN or less), top up with equivalent engine oil.

FUEL

11.2 GASOLINE

⚠ DANGER

Health and explosion hazards from combustion engines



- The engine's exhaust contains **poisonous carbon monoxide**. Staying in an environment containing carbon monoxide can lead to **unconsciousness and death**. Do not run the engine in an enclosed area.



- Keep the engine away from heat, sparks and flames. Do not smoke near the machine!



- Petrol is extremely flammable and explosive. Before refueling, turn off the engine and let it cool down.

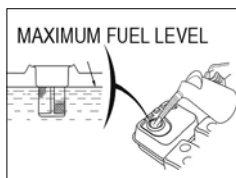
⚠ CAUTION

Engine damage! Risk of engine damage due to incorrect gasoline.



- Danger of engine damage due to incorrect petrol. Only use petrol **RON91 or higher**. Never fill the machine with 2-stroke mixture, diesel or non-approved fuels.

This engine requires only regular unleaded gasoline with a research octane rating of 95 or higher. Use only fresh, clean fuel. Water or impurities in the gasoline will damage the fuel system.



Tank volume: 6.5 liters

Refuel in a well-ventilated area with the engine stopped. If the engine has been running immediately before, allow it to cool down first. Never refuel the engine in a building where the gasoline vapors could cause flames or sparks. can achieve.

⚠ WARNUNG

petrol is extremely flammable and explosive. You may suffer burns or other serious injuries when handling fuel.

When refilling fuel, please note:

- Turn off the engine and allow it to cool for at least 10 minutes before removing the fuel tank cap.
- Keep the engine away from heat, sparks and flames.
- Fill the fuel outdoors or in a well-ventilated area.
- To allow room for the petrol to expand, do not fill beyond the bottom edge of the fuel filler neck.
- Keep gasoline away from sparks, open flames, pilot lights, heat sources and other sources of ignition.
- If fuel is spilled, wait until the vapors have dissipated before starting the engine.

11.3 STORING GASOLINE

- Fuels can only be stored for a limited time; they age. Fuels or fuel mixtures that have been stored for too long can lead to starting problems. Only store as much fuel as you will use in a month.
- Only store fuel in containers that are specifically approved for this purpose. Store fuel containers in a dry and safe place.
- **Store fuel containers out of the reach of children.**

11.4 FUELLING THE MACHINE

1. Clean the area around the fuel tank cap of dirt and foreign objects.
2. Carefully remove the tank cap to allow any excess pressure to be released.
3. Carefully fill with gasoline. To allow room for the gasoline to expand, do not fill beyond the bottom edge of the fuel filler neck.
4. Screw the tank cap tightly onto the tank neck.
5. Wipe up any spilled gasoline immediately.

COMMISSIONING

12. COMMISSIONING

12.1 PREPARATION FOR USE

- Lubricate the machine regularly depending on how often it is used. See ... FUEL / ENGINE OIL (11.1)
- Make sure that all parts on the machine are in good condition and correctly fitted. Always repair any damage immediately. Replace worn or damaged parts. Always remove any dust, grease, oil or dirt deposits. Always keep all screws firmly tightened.
- Check that all protective devices are installed and functioning properly.
- Check that the conveyor belt is correctly aligned and secured using the safety chain.
- Check the tire pressure. Both drive wheels must have the same tire pressure of approximately 2.0 bar.
- Remind yourself of the safety instructions and shutdown routines as described in the operating instructions.
- Make sure that the stand is on a solid surface and secured with the safety bolt.
- Use hearing protection and safety glasses with side shields. Wear a face mask in dusty conditions.
- Check that the work area is free of metal objects (wires, nails, etc.) etc. Objects can be thrown and injure people and damage the equipment.
- Make sure there is a minimum distance of 5 meters between other people, children, animals and the machine. Objects can be thrown and injure people or animals.
- Work carefully near roads, paths or residential areas.
- Do not place yourself or any other objects under the moving conveyor belt.
- Check if the engine switch is working. Start the engine and let it run for a few seconds. Turn the engine switch to OFF, the engine will stop immediately.
- Check oil level and fuel, top up if necessary.

- Check the condition of the air filter, the fuel lines and connections for leaks and mechanical damage, and the fuel tank for cracks and leaks.

⚠ DANGER

Do not start the engine in enclosed spaces. The exhaust fumes contain carbon monoxide, which is very toxic if inhaled!

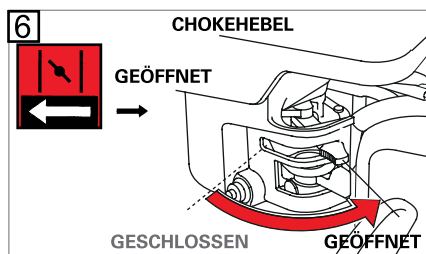
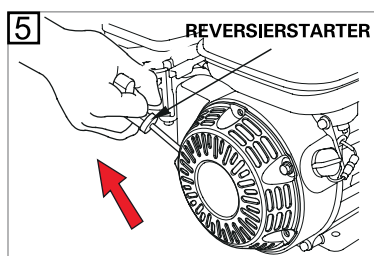
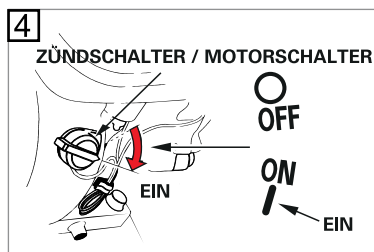
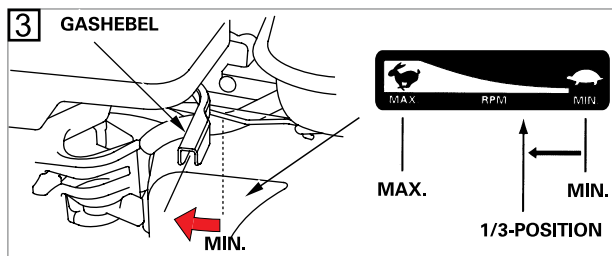
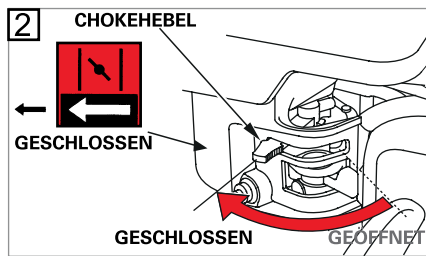
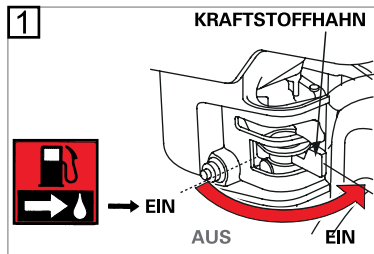
12.2 STARTING THE ENGINE (FIG. 1-6)

Check that the daily maintenance - see ... PREPARATION FOR USE (12.1) - has been carried out. Check that there is sufficient fuel in the fuel tank.

Before dem Start des engine are all controls in idle position to switch.

1. Turn the fuel tap to the ON position.
2. When cold, move the choke lever to the left to CLOSE. When warm, leave the choke lever to the right to OPEN.
3. Move the throttle lever approximately 1/3 of the way from the MIN. position to the MAX. position.
4. Turn the engine switch to the ON position.
5. Pull the recoil starter gently until you feel resistance, then pull the cable firmly and let it slowly roll in again.
6. If the choke lever was moved to the CLOSE position to start the engine, gradually move it back to the OPEN position while the engine warms up.
7. When the engine is running, adjust the speed using the throttle on the engine until the engine runs smoothly.

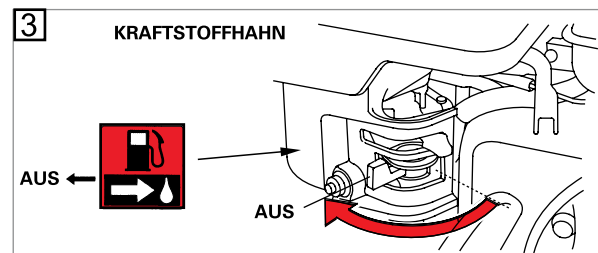
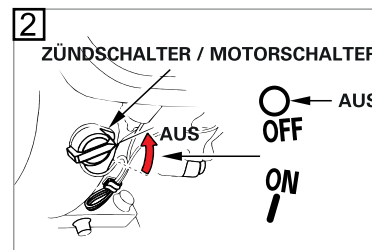
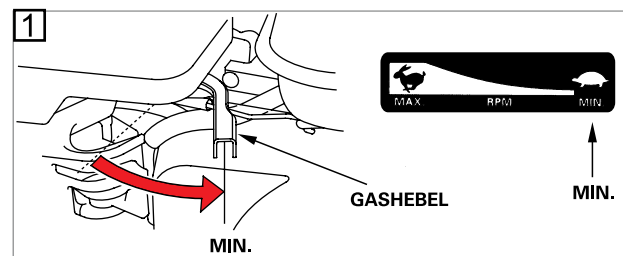
COMMISSIONING



12.3 STOPPING THE ENGINE (FIG. 1-3)

Before stopping the engine, allow all wood residues in the splitting area to split.

1. Set the throttle lever on the engine to the MIN. (idle) position.
2. Turn the engine switch to OFF.
3. Then slide the fuel tap to OFF to close it.
4. Remove the spark plug connector so that the engine cannot be started accidentally. = Protection against unauthorized use!



OPERATION

13. OPERATION

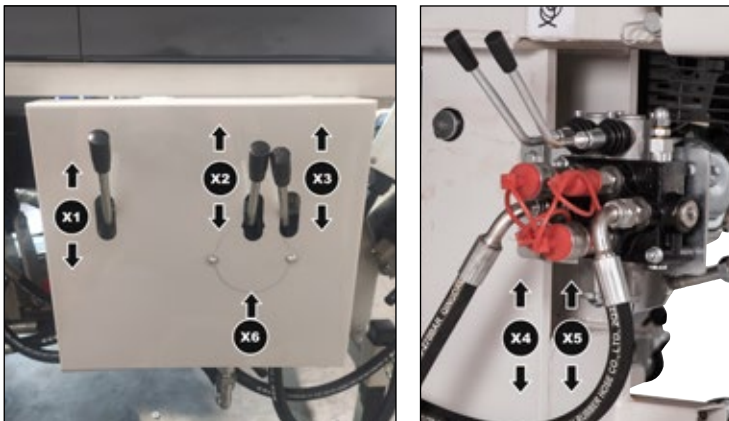
Think carefully about where you will work. Work safely and save time by planning your work in advance.

Store your logs where they are easy to reach. Create a place to stack the split wood or place it in a nearby cart or other means of transport. Position the log splitter on a solid surface.

A NOTICE

Applying a thin layer of lubricant to the surface of the cylinder before operation will extend the life of the cylinder.

13.1 OPERATING THE HYDRAULIC SYSTEM



The machine is operated using the hydraulic system shown above.

For this purpose, there are a total of 5 operating levers that can be tilted up or down, and an operating screw (under the flap).

X1: Control lever "Stammhalter"

Tilted upwards = moves upwards
Tilted down/locked = moves down (holds)

X2: Chainsaw control lever

Tilted up = moves up
Tilted down = moves down

X3: Control lever "Feed conveyor belt"

Tilted up = runs forward
Tilted down = runs backward

X4: Control lever "eg log lifter 1" Tilted up = runs forward
Tilted down = runs backward

or

X5: Operating lever "eg log lifter 2"

Tilted upwards = lift
Tilted downwards = lower

X6: Operating screw "Sword lowering speed" Turned clockwise = slower lowering
Turned counterclockwise = faster lowering

The levers X4 and X5 are intended for the optional accessories. Here you can either use the log lifter or the log feeder must be mounted. Both levers (X4 & X5) are required for this accessory as it has 2 functions!

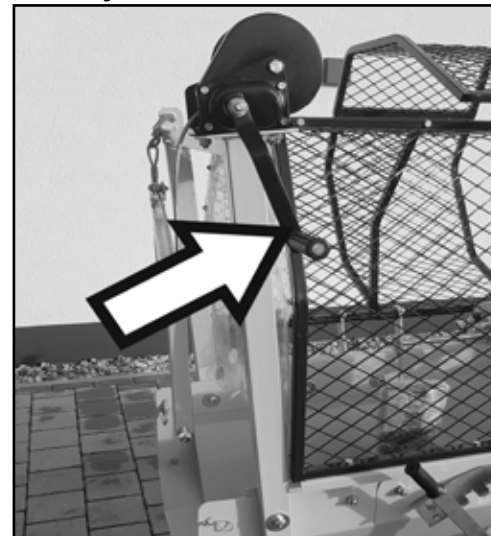
A NOTICE

Please observe the ideal Hydraulic oil temperature is between 40-70°C. To ensure smooth operation, make sure to stay within this temperature range.

⚠ CAUTION

Please note the two levers "X2" and "X3" may never be operated simultaneously!

13.2 ADJUSTING THE CONVEYOR BELT



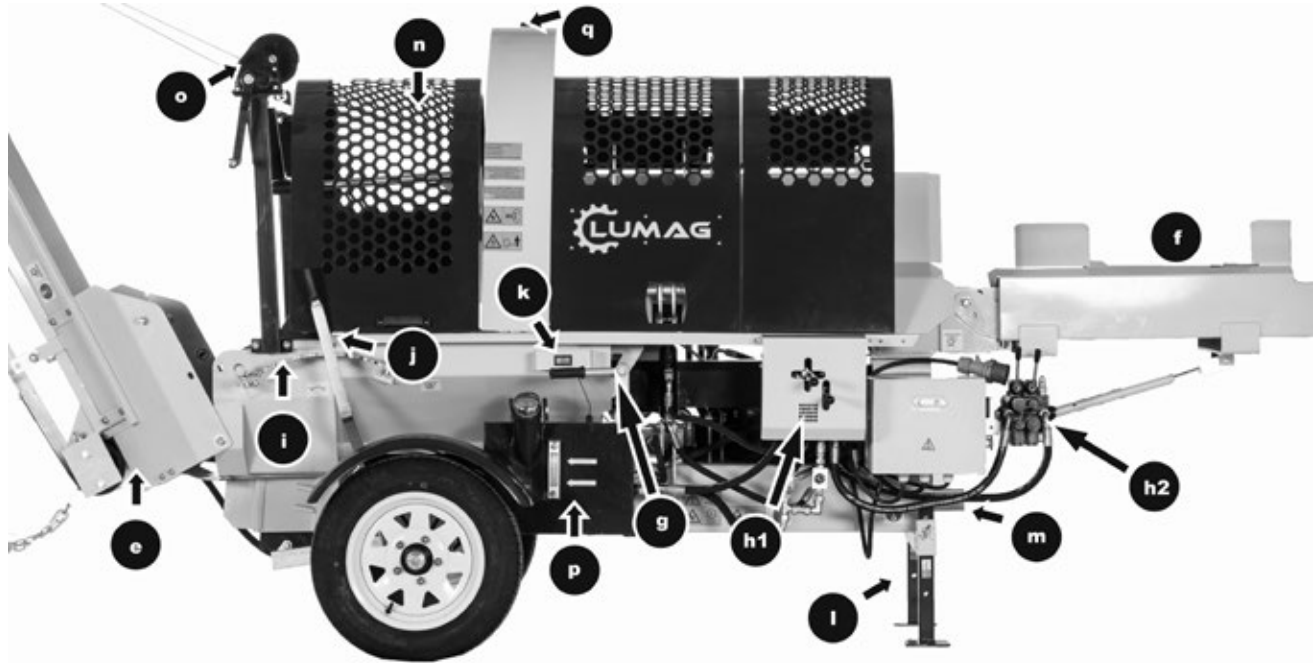
You can individually adjust the inclination of the conveyor belt using the cable winch.

To do this, turn the cable winch clockwise to raise the conveyor belt. To lower the conveyor belt, turn the cable winch anti-clockwise. Make sure that the base is firmly on the ground before you start working.

For transport, the conveyor belt or the base of the conveyor belt must be lifted from the ground

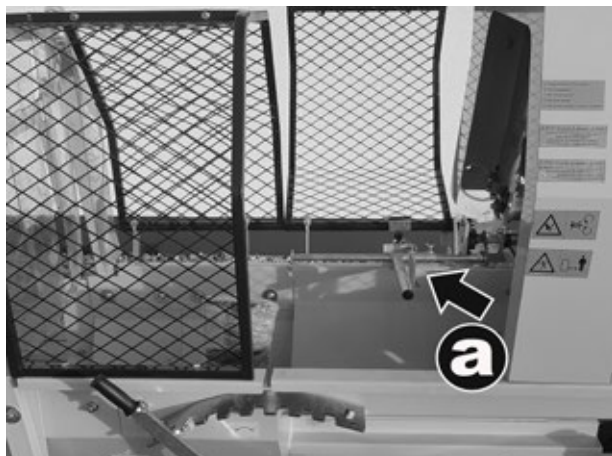
OPERATION

13.3 OPERATION OF THE MACHINE

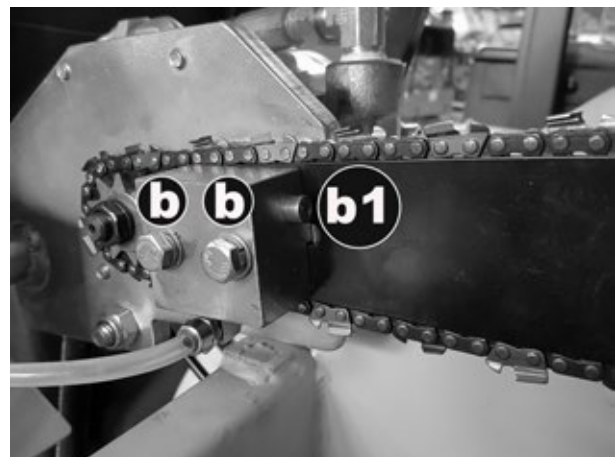


- (e) Conveyor belt (not fully shown)
- (f) Hydraulic feed chain
- (g) Control lever for wood splitter
- (h1) Hydraulic system
- (h2) Hydraulic system 2 (only for optional accessories)
- (i) Splitting cross locking
- (j) Splitting cross adjustment
- (k) Hydraulic oil temperature indicator
- (l) feet
- (m) support wheel
- (n) Protective grille for chainsaw and splitter with emergency stop function
- (o) Cable winch / conveyor belt
- (p) Self-venting hydraulic oil nozzle + sight glass (capacity: 44l)
- (q) Saw chain oil container (capacity: 2.5l)

(Image similar)



(a) Adjustable stop



(b1) Adjusting screw chain tension (b)
Fixing screw chain tension

OPERATION

1. Make sure that all components of the firewood processor are firmly screwed together and that no loose parts could cause dangerous injuries.
2. Start the engine as described in section 12.2.
3. Close the protective grille for the chainsaw and splitter using the EMERGENCY STOP function for the saw and splitting unit(s).
4. Secure the splitting cross in the desired position using the splitting cross adjustment (j) and - locking (i), depending on the length of the split material.
5. Before operating the firewood processor, open the saw chain oil tap (q).
6. Adjust the inclination of the conveyor belt. (see point 13.2)
7. Place the log on the conveyor belt (f) and move it towards the chainsaw using the "X3" operating lever on the control panel (see 11.1). Now adjust the cutting length using the adjustable stop (a). Now move the log using the "X3" operating lever to the set stop. Then operate the "X1" operating lever for the log holder by pressing it downwards. This engages and fixes the log so that it can be sawn safely. Before sawing, press the "X1" operating lever upwards once so that it is no longer in the engaged position. Then press and hold the "X2" operating lever down to slowly saw through the log with the chainsaw. Once the log has been sawn through, release the "X2" operating lever and the chainsaw will return to its starting position. The trunk now slides further into the splitting area of the saw-splitter and as soon as the chainsaw stops, the splitting process starts automatically.
8. If the split material does not fall correctly into the splitting device, stop the motor, as described in point 12.3. Now open the safety grate and position the material to be split accordingly. Then close the safety grate again.
9. The split material is now automatically pressed against the splitting cross, which splits the log into 2-4 pieces of wood, depending on the setting of the splitting wedge. After the cylinder has finished moving forward, the piston automatically returns to its starting position. This automatically activates the control valve for adjusting the cylinder and automatically sets the hydraulic system to idle. The split wood is now transported via the discharge conveyor to the discharge point/trailer, etc.
10. Do not start the next sawing and splitting cycle until the last operation has been completely completed. To stop the machine, open the protective guard or switch off the engine and then remove the spark plug connector from the engine. Then clean the saw-splitter and the work area. This allows you to work safely.

Apply a thin layer of grease to the surface of the hydraulic piston. This will significantly extend the life of the piston. Good maintenance ensures a long life for the sliding components of the hydraulic cylinder. The result is efficient operation and reduced friction.

The firewood processor is with one Automatic function. With this function, the material to be split is automatically pushed forward and split. The cylinder then returns to its starting position.

Stay away from the work area of the firewood processor once the splitting process has started. Keep your hands and other body parts away as soon as the cylinder retracts.

Accumulated wood chips in the air can create a harmful and dangerous working environment. Stop working with the firewood processor in the contaminated area immediately. You could slip or suffer other health damage.



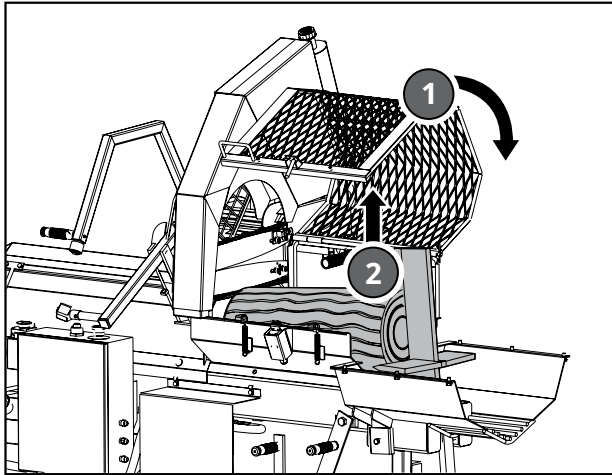
Never operate the firewood processor with a damaged chainsaw blade. If the chain becomes loose, you can readjust it using the adjustment screws (b).

8. If the split material does not fall correctly into the splitting device, stop the motor,

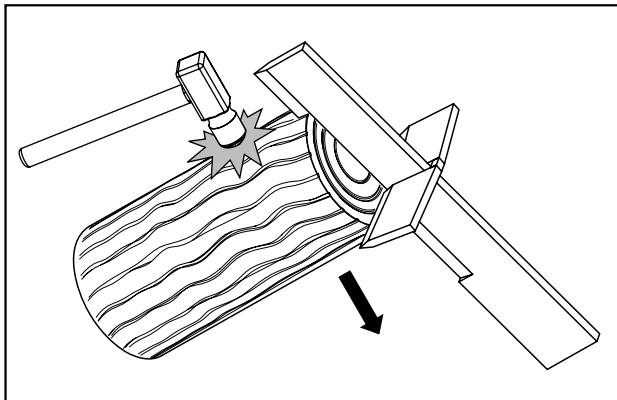
PROCEDURE FOR A BENT PIECE OF WOOD / MAINTENANCE

14. PROCEDURE FOR A BENT PIECE OF WOOD

Turn off the engine and disconnect the spark plug connector from the engine.



Open the protective basket (1) on the splitting area and remove the jammed piece of wood together with the splitting cross (2).



By hitting the piece of wood with a hammer, it can be removed from the splitting cross. The splitting cross can now be reinserted into the opening provided.



At Work with the firewood processor and at the
Always wear protective gloves when removing jammed wood.

15. MAINTENANCE

15.1 MAINTENANCE

Constant maintenance of the firewood processor ensures a long service life of all components.

preventive maintenance work

Make sure that the firewood processor is in perfect condition. Check the machine for loose screws, damage or unusually protruding or positioned components. Any damage or visual defects can affect the safe operation of the machine. Remove all deposits from the firewood processor using a hand broom, vacuum cleaner or compressed air.

Use high-pressure cleaners, She never a high-pressure cleaners, um the The water could reach inaccessible places on the wood splitter to reach and different components permanently damage. The use a high-pressure cleaner leads to damage that significantly affects the service life of the firewood processor and severely limits the options for maintenance.



Maintenance work before each commissioning check

- Check the hydraulic oil and hydraulic oil filter for oil level and note when to replace them.
- Check the condition of the chainsaw – sharpen or replace a dull or damaged chain.

sharpening the chain

The chainsaw can be sharpened several times without removing it from the machine. Use a fine square file 8-12".

Grind only the front teeth over a length of 5-7mm.

When filing, do not create sharp edges at the transitions between the teeth.

MAINTENANCE

- File each tooth very carefully.
- Clean the chainsaw after filing.
- Check the chain very carefully after grinding.

Maintain the saw chain to achieve optimal sawing results.

- Riving knife – make a blunt knife sharp again.

15.2 CHANGING / CHECKING HYDRAULIC OIL

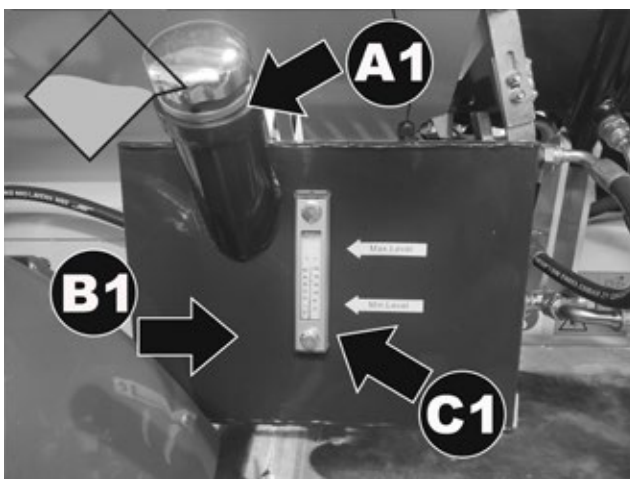
The hydraulic system is a closed system with oil tank, oil pump and control valve. A low oil level can damage the oil pump.

Regularly check the oil level in the sight glass (C1). The oil should be completely changed once a year.

Recommended hydraulic oil:

Any **Hydraulic oil of viscosity class HLP 22** This oil is available from agricultural machinery dealers, for example.

Hydraulic oil capacity: 44 liters Do not overfill!

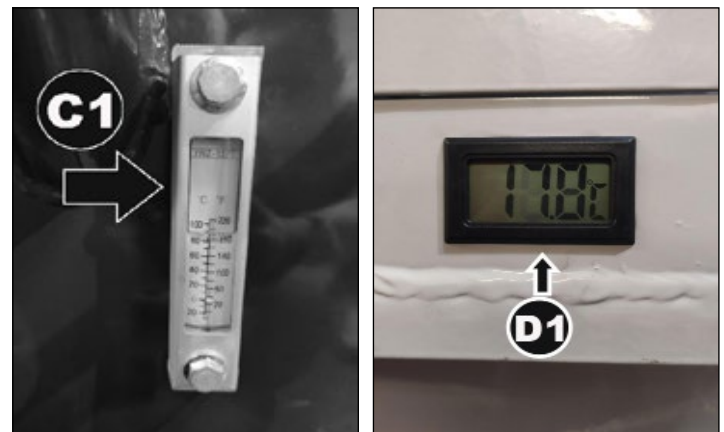


Use a suitable container of sufficient size to completely drain the oil. First remove the drain plug (B1), which is located below the filler neck (A1). Unscrew the filter cartridge on the hydraulic filter while holding the container underneath. You can drain the oil from the filter cartridge and the hydraulic system in this way. Roughly examine the drained oil for larger metal residues in order to avoid future damage and to be able to react in time.

Change the oil filter every 150 hours of operation.



The regular change des oil filter prevents that the Saw splitter is damaged and works without problems.



You can read the oil level on the sight glass (C1). Fill oil up to the upper third of the sight glass (see "Max. Level" marking). This will then reach the maximum level. A low oil level can damage the oil pump (below the "Min. Level" marking). An oil level that is too high would raise the temperature (D1) in the hydraulic system too much and thus damage the components. A temperature of up to 70° Celsius is still OK. Temperatures above this cause the oil to age disproportionately quickly!



When installing the oil filter cartridge, make sure that the seals are correctly positioned and that the filter is screwed back in tightly.

After one oil change let She the Run the firewood processor several times without any material to be split.

MAINTENANCE

15.3 SHARPENING THE SPLITTING CROSS

The splitting machine is equipped with a reinforced splitting wedge that has been specially treated. After a long period of use or if necessary earlier, you can sharpen the splitting wedge using a fine file. This file should also be used to remove sharp corners and edges.

15.4 FASTENING SCREWS

Check all screw connections regularly for tightness and tighten if necessary. The first check of the screw connections is **after the first 3 hours of operation** to make.

15.5 TIRES

Check the wheels, the tire pressure the drive wheels and the tire condition at regular intervals.

- Check that the screw connection on the wheel axles is correctly seated.
- look for cuts and foreign objects in the tire tread
- Check tire pressure - approx. 2.0 bar.

15.6 CLEANING / CHANGING THE AIR FILTER

Cleaning the air filter frequently will prevent carburetor malfunctions. If the engine starts to smoke and the engine performance decreases, this is a sign that the filter is clogged. Clean the air filter and tap it gently to remove dust from the paper element.

⚠ WARNING

NEVER use gasoline or low flash point cleaning solvents to clean the air cleaner element. A fire or explosion could result.

Clean air filter, change filter elements

1. Loosen the fastening element and remove the cover.
2. Wipe dirt from the inside of the filter housing with a clean, damp cloth.
3. Carefully remove the foam filter insert from the paper filter insert. Check both parts for damage. Replace damaged inserts.
4. Clean the foam filter insert in warm water and a mild soap solution. Rinse thoroughly with clean water and allow to dry well.
5. Tap the paper filter element on a hard surface to remove dirt. Never brush off dirt as this will force it into the fibers.
6. Place the foam insert on the paper filter insert.
7. Reinstall the filter element.
8. Close the cover and secure it with the fastener.

A NOTICE

Never run the engine without or with a damaged air filter element. This will allow dirt to enter the engine, which can cause serious engine damage. In this case, the seller and manufacturer will not provide any warranty.

MAINTENANCE

15.7 CHECKING / REPLACING THE SPARK PLUG

Check the spark plug and the gap between the electrodes regularly.

⚠ WARNING

Hot surfaces.



There are parts on the engine with hot surfaces, such as the exhaust muffler or the engine cooling fins. Wait until the engine has cooled down before carrying out any work on the engine.

Check, clean and replace spark plug

1. Allow the engine to cool down.
2. Remove the spark plug cap from the spark plug and remove any dirt in the spark plug area.
3. Unscrew the spark plug with the spark plug wrench and check it.
4. Check the insulator. If there is any damage such as cracks or splinters, replace the spark plug.
5. Clean the spark plug electrodes with a wire brush.
6. Check the electrode gap and adjust if necessary. The electrode gap must be 0.7 - 0.8 mm.
7. Carefully screw in the spark plug by hand and tighten it with the spark plug wrench.
8. Place the spark plug connector onto the spark plug.

A NOTICE

A loose spark plug can overheat and damage the engine. And over-tightening the spark plug can damage the threads in the cylinder head.

guideline:

- > Used spark plug: 1/8 - 1/4 turn
- > New spark plug: 1/2 turn

15.8 DRAINING OF OPERATING MATERIALS

Change the engine oil while the engine is still warm. Warm oil drains quickly and completely.

ATTENTION! Environmental damage.



Operating materials and parts contaminated with operating materials must not be allowed into the drinking water supply. Dispose of the operating materials as hazardous waste, even if only small quantities are involved.

The engine oil should be changed after the first 5 hours of operation. After that, only every 50 hours of operation or every season.

1. Unscrew the oil drain plug.
2. Unscrew the oil filler plug.
3. Hold a suitable container (at least 2.0 liters) under the oil drain plug.
4. A second person tilts the machine so that all the oil can drain out.
5. Thoroughly clean the area around the oil outlet.
6. Screw the oil drain plug back in.
7. Slowly add engine oil (1.1 litres, see ... FUEL/Oil (11.1)).
8. Tighten the oil filler plug tightly.
9. Remove any oil residue or dirt.
10. Dispose of engine oil in accordance with local regulations.

15.9 TENSIONING THE SAW CHAIN

To tension the chain of the chainsaw of the firewood processor, please proceed as follows:

- Turn off the engine and disconnect the spark plug connector.
- Open the protective grille for the chainsaw and splitter with emergency stop function(s).
- Loosen the two hexagon screws (b).
- Now turn the hexagon socket screw (b1) to the left to loosen the chain and to the right to tighten the chain.
- Then re-tighten the two hexagon screws (b).

MAINTENANCE / STORAGE

15.10 CLEANING



Maintenance and cleaning work should only be carried out when the drive is switched off and at a standstill.

Clean the machine regularly to ensure optimal functioning.

dirt accumulations (sawdust, Dust,
Any dirt (e.g. green leaves, etc.) stuck to the
machine must be removed. Use a soft brush to
remove this dirt.

Use a dry cloth to remove dirt from the chassis.
When cleaning, never direct water at the bearings
or the motor.

After cleaning, lubricate or oil all lubrication points
and let the machine run briefly so that any water
that has penetrated is pressed out again.

16. STORAGE

Store the machine in a horizontal position on level
ground in a dry and well-ventilated building.

The machine should always be cleaned.

Do not store the firewood processor outdoors, as
this could damage electrical connections in
particular.

Use clean cloths to clean the surface of the
machine. Clean the vent screws regularly.

TROUBLESHOOTING

17. TROUBLESHOOTING



Observe safety instructions!

Any faults in the machine or engine that require major intervention should always be repaired by your LUMAG specialist workshop or an authorized specialist workshop. Improper intervention will void the warranty.

Disturbance	Caused	remedy
engine does not start	No fuel	filling the fuel tank
	recoil starter defective	Repair or replace recoil starter
	No engine oil	refill engine oil
	No ignition spark	Clean or replace spark plug
	Engine cold and choke set to OPEN (right)	Set choke to CLOSE position (left)
	Fuel tap set to OFF	fuel
Engine gets too hot	Too little engine oil	refill engine oil
	cooling air system restricted	Clean the fan grille, clean the internal cooling fins
	air filter dirty	Clean the air filter
	carburetor not adjusted correctly	Have the carburetor adjusted by a specialist dealer
Firewood processor does not work even though the engine is running	Valve is not opened or missing connectors	Check and tighten the connectors
	control lever or Connecting parts are bent	Repair or replace damaged components
	Too low oil level	Check oil level and top up if necessary
Hydraulic cylinder operates with unusual noises or vibrations	Too low oil level	Check oil level and top up if necessary
Chainsaw works with unusual vibrations or quickly loses power	Chain tension is quickly lost	Clockwise on the Turn the adjusting screw to tighten the chain
	Insufficient supply of chain oil	Check oil level and top up if necessary
	hydraulic cylinder leaks oil	Replace seal or hydraulic cylinder
	Great resistance at oil suction	Check or replace oil filter
Chainsaw won't start	Damage to one or both control levers for the chainsaw	Replace lever or button
Oil circuit through hydraulic pump does not work	Blocked hydraulic cylinder with high pressure build-up	Check the gap for foreign objects, the support surface and the ejection plate, replace damaged parts

WARRANTY / GUARANTEE / CUSTOMER SERVICE

18. WARRANTY / GUARANTEE / CUSTOMER SERVICE

WARRANTY

On the device ^{becomes} the legal Warranty period is given. Any defects that can be proven to be due to material or assembly errors must be reported to the seller immediately. Proof of purchase of the device must be provided by presenting the invoice and receipt when making a warranty claim.

The warranty is excluded with regard to parts if defects have arisen due to natural wear and tear, temperature or weather influences or due to defects resulting from negligent assembly, faulty connection, incorrect fuel/fuel mixture, installation, operation, maintenance, lubrication or force.

Furthermore, damage caused by inappropriate or improper use of the machine, such as improper modifications or

repair work of the owner or third parties, but also in the event of intentional overloading of the machine.

Wear parts with a limited service life (e.g. V-belts, clutch, throttle cable, spark plug, air filter, battery, blades, hoses, wheels, tools and other aids) as well as all setting and adjustment work are excluded from the warranty.

GUARANTEE

LUMAG GmbH guarantees flawless quality and, without prejudice to the statutory warranty, provides a guarantee in the event of material or manufacturing defects. The guarantee for LUMAG products is 24 months for exclusively private use, and 12 months from the date of delivery for commercial or professional use or rental. Warranty claims must always be proven by the buyer using the original purchase receipt. A copy of this must be enclosed with the warranty application. The buyer's address and machine type must be clearly identifiable for professional or commercial use. Without the original purchase receipt, we can only carry out the repair for a fee.

Please do not send any devices back to us without a SERVICE NUMBER that you have received from our service department. If we receive devices unsolicited, we cannot accept and process them. To request a SERVICE NUMBER, please contact our service team at:

info@lumag-maschinen.de

Please clearly label the shipping box with the SERVICE NUMBER to ensure quick identification.

Warranty work is carried out exclusively by our LUMAG service workshop. Defects that occur within the warranty period due to material or manufacturing defects must be remedied by repair if they have occurred despite proper use and care of the device. We reserve the right to make two repairs if the same defect occurs. If repair fails or is impossible, the device can be exchanged for an equivalent device. If the exchange is also unsuccessful or impossible, there is the option of a replacement.

Normal ^{Wear and tear,} natural aging, improper ^{use} as well as cleaning, Maintenance and adjustment work is generally not covered by the guarantee (e.g. cutting device, air and fuel filters, spark plug and recoil starter, drive belt, etc.). Due to operation and use, some components are subject to normal wear and tear, even when used as intended, and may need to be replaced in good time.

CUSTOMER SERVICE

If you have any technical questions, information about our products or would like to order spare parts, our service team is available as follows:

Service hours: Monday to Thursday from
7:30 a.m. - 12 noon and 1 p.m. - 5 p.m.
Friday from 7:30 a.m. - 12:30 p.m.

Phone: + 49 / 8571/92556-0
Fax: + 49 / 8571/92556-19
E-mail: info@lumag-maschinen.de

EC DECLARATION OF CONFORMITY

19. EC DECLARATION OF CONFORMITY

In accordance with the provisions of the EC directives

Machinery Directive 2006/42/EC
EMC Directive 2014/30/EU

explains the company

LUMAG GmbH
Rudolf-Diesel-Str. 1a
D-84375 Kirchdorf/Inn
Telephone: +49 / 8571/92556-0
Fax: +49 / 8571/92556-19

that the product

Designation: Firewood processor Type
designation: SSA-500GHPRO/S

meets the essential protection requirements of the above-mentioned EC directives.
Conformity is based on the following standards:

EN ISO 12100:2010
Safety of machinery - General principles for design - Risk assessment and risk reduction

EN 609-1:2017
Agricultural and forestry machinery - Safety of wood splitting machines - Part 1: Wedge splitting machines

EN 60204-1:2018
Safety of machinery - Electrical equipment of machines - Part 1: General requirements

EN 61000-6-1:2019
Electromagnetic compatibility (EMC) - Part 6-1: Generic standards - Immunity for residential, commercial and light-industrial environments

EN 61000-6-3:2021
Electromagnetic compatibility (EMC) generic standards. Emission of interference for residential areas, business and commercial areas as well as small businesses

Person authorized to compile the technical documentation: Christopher Weißenhorner

The declaration of conformity refers only to the machinery in the condition in which it was placed on the market; it does not take into account any parts and/or interventions subsequently fitted by the end user.

Kirchdorf, September 7, 2022 Christopher Weißenhorner, Managing Director

distributor, authorized representative

Place, date
Signature

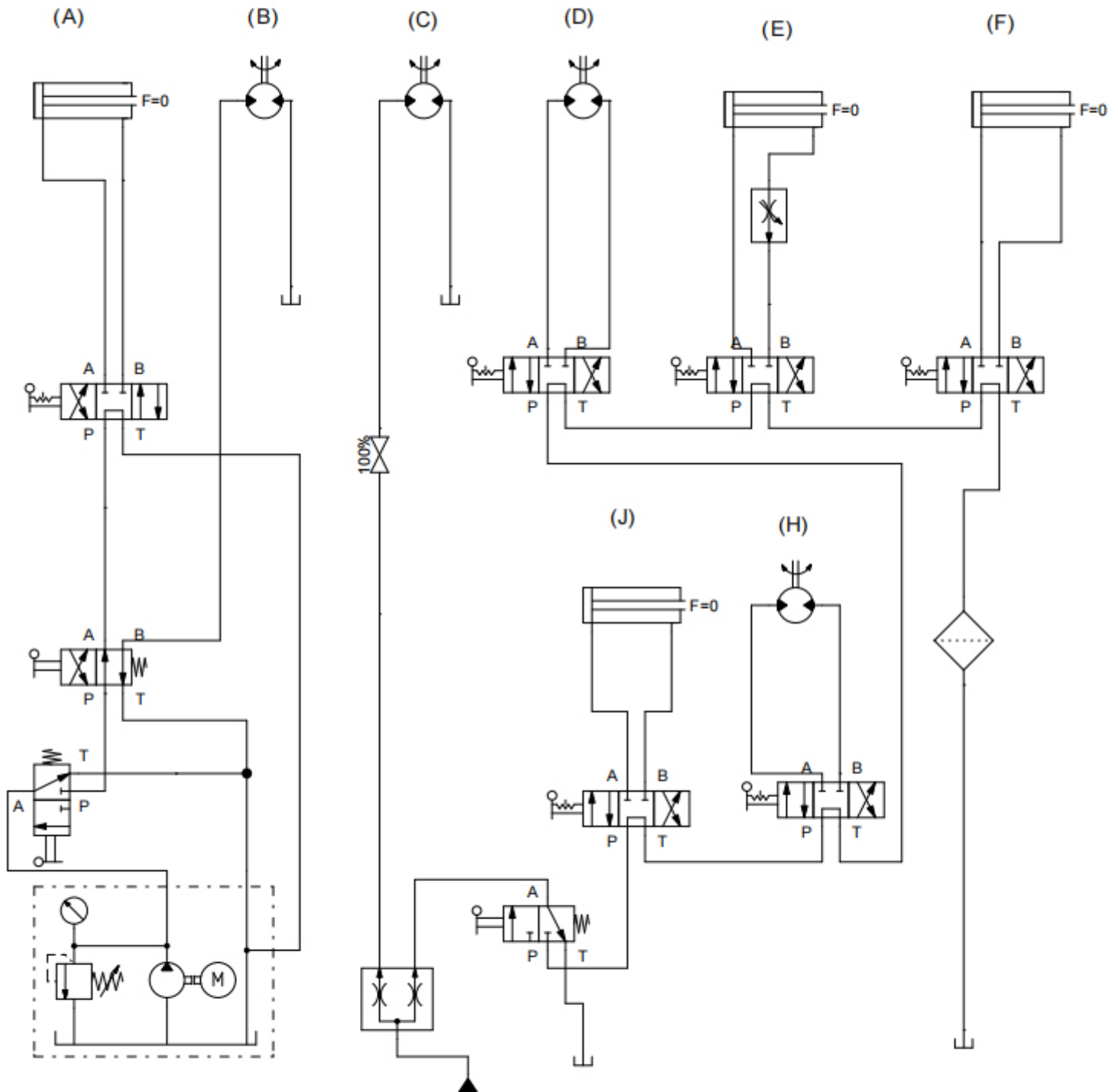


NOTES

20. COMPONENTS OF THE MACHINE

NOTES

21. HYDRAULIC DIAGRAM



A: splitting hydr. cylinder	B: chainsaw motor	C: conveyor outfeed motor	D: conveyor infeed motor	E: cutting hydraulic cylinder	F: tighten hydraulic cylinder
J: log feeder motor	H: lifting motor of log feeder				

NOTES

22. NOTES



LUMAG GmbH

Rudolf-Diesel-Str. 1a
D-84375 Kirchdorf am Inn

Telephone: +49 (0)85 71 / 92 556 - 0

Fax: +49 (0)85 71 / 92 556 - 19

www.lumag-maschinen.de

Status: 01/2024 - SSA500GHPROS_V2